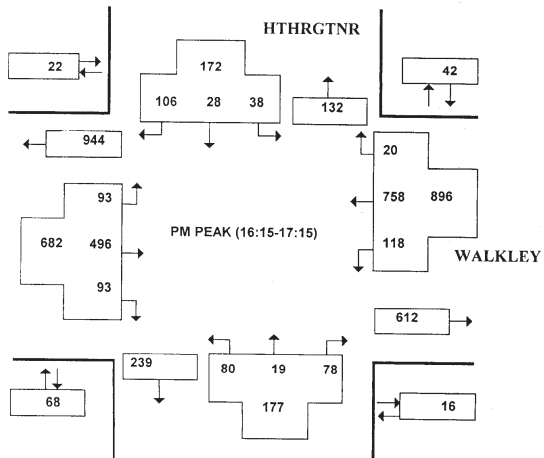
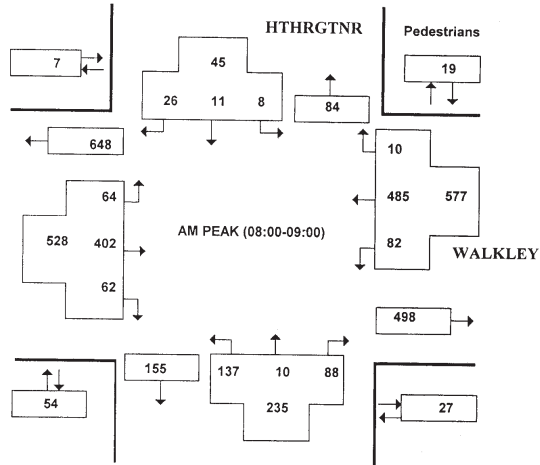


**HEATHERINGTON RD and WALKLEY RD**  
(ULRS Listing HTHRGTR & WALKLEY)

Survey Date: Monday 7 May 2007  
Conditions: DRY  
Start Time: 0700

**Total Observed U-Turns**  
Northbound: 0 Southbound: 0  
Eastbound: 29 Westbound: 6

**AADT Factor**  
Monday in May is 1



Approved by : AW

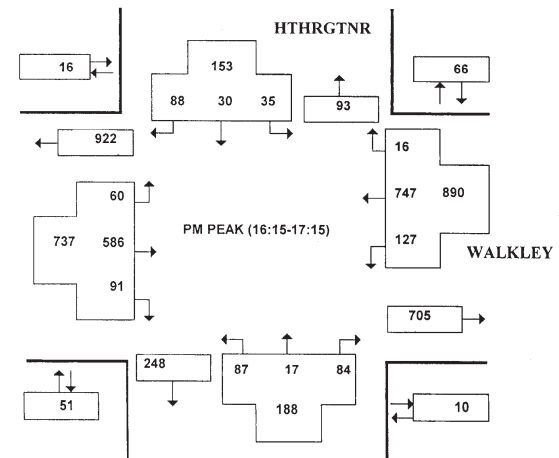
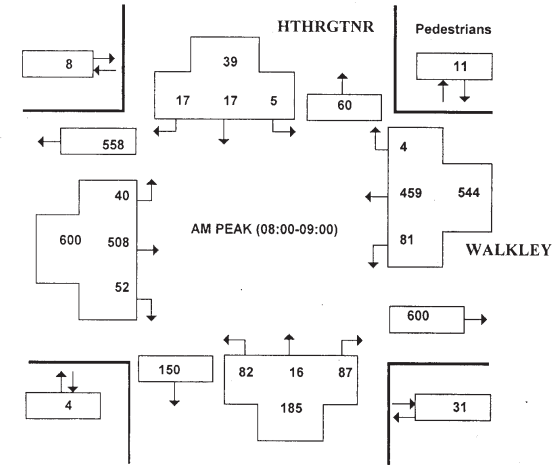
Printed on : 20/06/2008

**HEATHERINGTON RD and WALKLEY RD**  
(ULRS Listing HTHRGTR & WALKLEY)

Survey Date: Tuesday 8 August 2000  
Conditions: Dry  
Start Time: 0700

**Total Observed U-Turns**  
Northbound: 0 Southbound: 0  
Eastbound: 0 Westbound: 0

**AADT Factor**  
Tuesday in August is 0.9



Approved by : JM

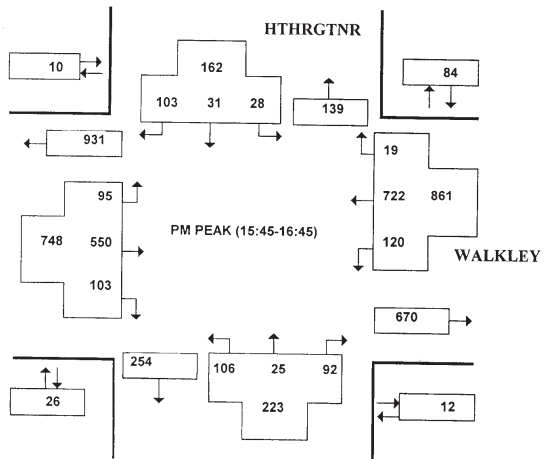
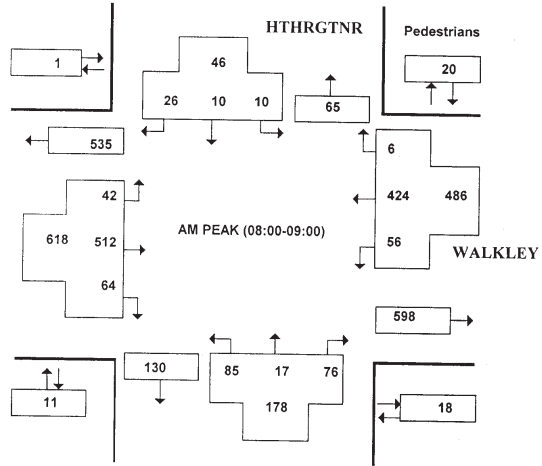
Printed on : 20/06/2008

HEATHERINGTON RD and WALKLEY RD  
(ULRS Listing HTHRGTR & WALKLEY)

Survey Date: Friday 28 August 1998  
Conditions: Dry  
Start Time: 0700

Total Observed U-Turns  
Northbound: 0 Southbound: 0  
Eastbound: 0 Westbound: 0

AADT Factor  
Friday in August is 0.9



Approved by : DT

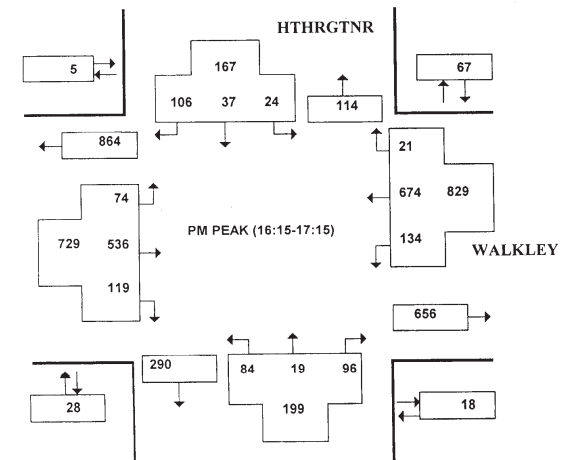
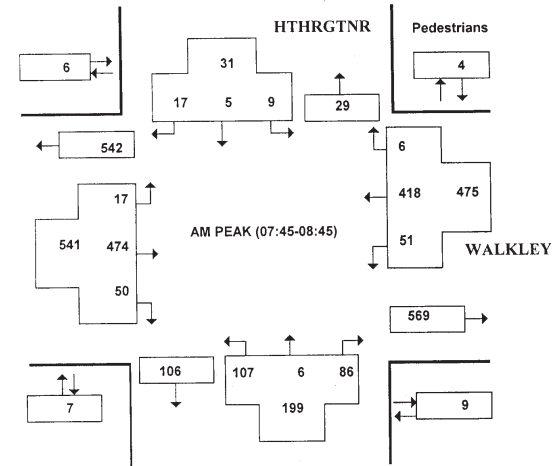
Printed on : 20/06/2008

HEATHERINGTON RD and WALKLEY RD  
(ULRS Listing HTHRGTR & WALKLEY)

Survey Date: Monday 25 August 1997  
Conditions: Dry  
Start Time: 0700

Total Observed U-Turns  
Northbound: 0 Southbound: 0  
Eastbound: 3 Westbound: 2

AADT Factor  
Monday in August is 1



Approved by : DT

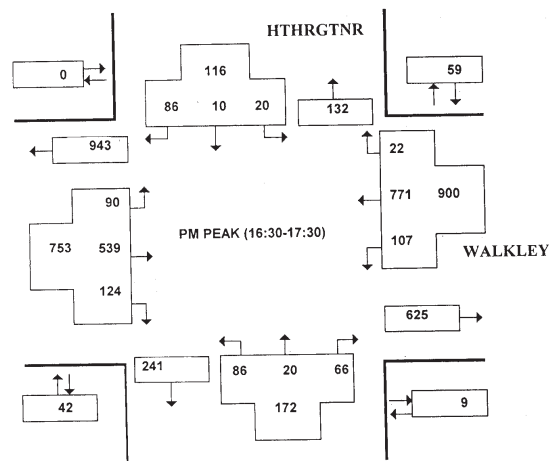
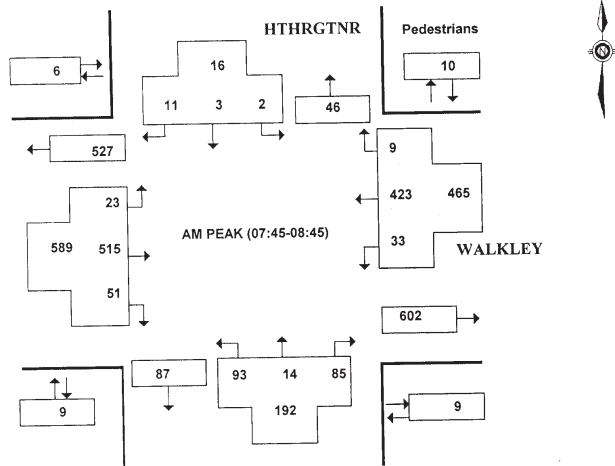
Printed on : 20/06/2008

**HEATHERINGTON RD and WALKLEY RD**  
(ULRS Listing HTHRGTRN & WALKLEY)

Survey Date: Wednesday 21 August 1996  
 Conditions: Dry  
 Start Time: 0700

Total Observed U-Turns  
 Northbound: 0 Southbound: 0  
 Eastbound: 5 Westbound: 1

AADT Factor  
 Wednesday in August  
 0.9



Approved by: DM

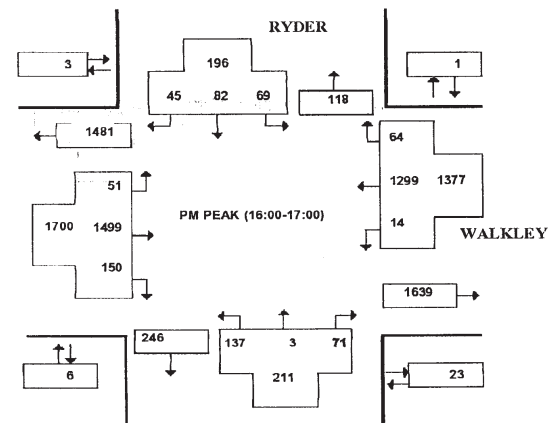
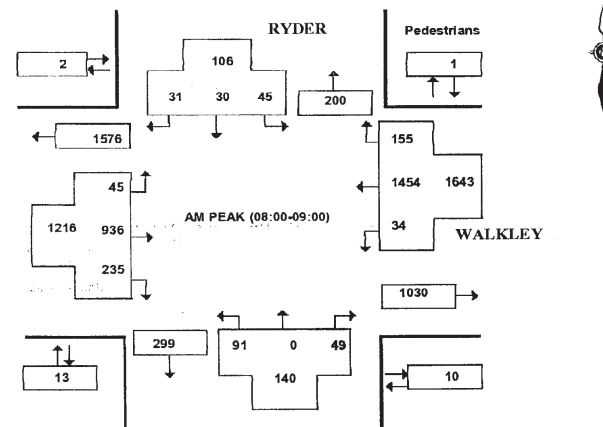
Printed on: 20/06/2008

**RYDER ST and WALKLEY RD**  
(ULRS Listing RYDER & WALKLEY)

Survey Date: Tuesday 24 July 2007  
 Conditions: dry  
 Start Time: 0700

Total Observed U-Turns  
 Northbound: 0 Southbound: 0  
 Eastbound: 12 Westbound: 3

AADT Factor  
 Tuesday in July is  
 0.9



Approved by: GZ

Printed on: 15/07/2008



Public Works and Services Department

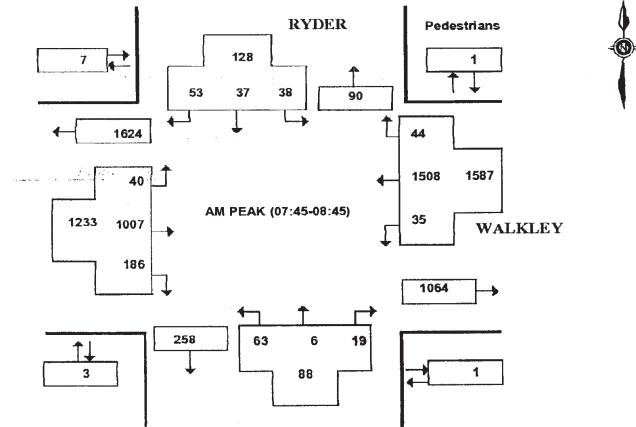
Count ID 1380

**RYDER ST and WALKLEY RD**  
(ULRS Listing RYDER & WALKLEY)

Survey Date: Thursday 4 April 2002  
 Conditions: Dry  
 Start Time: 0700

Total Observed U-Turns  
 Northbound: 0 Southbound: 0  
 Eastbound: 0 Westbound: 0

AADT Factor  
 Thursday in April is  
 0.9



Approved by : DGT

Printed on : 15/07/2008



Public Works and Services Department

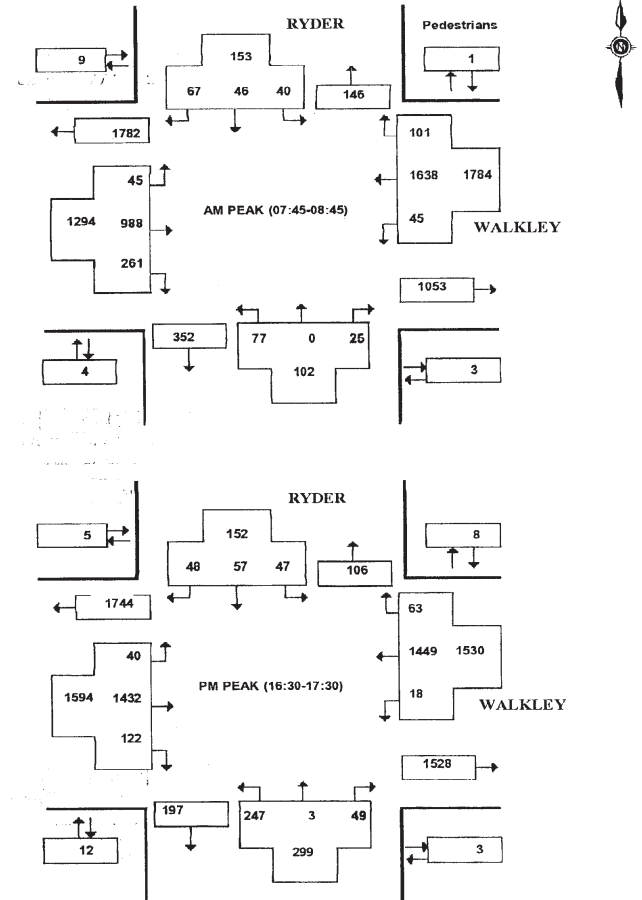
Count ID 9594

**RYDER ST and WALKLEY RD**  
(ULRS Listing RYDER & WALKLEY)

Survey Date: Tuesday 13 June 2000  
 Conditions: Dry  
 Start Time: 0700

Total Observed U-Turns  
 Northbound: 0 Southbound: 0  
 Eastbound: 0 Westbound: 2

AADT Factor  
 Tuesday in June is  
 0.9



Approved by : JM

Printed on : 15/07/2008



Public Works and Services Department

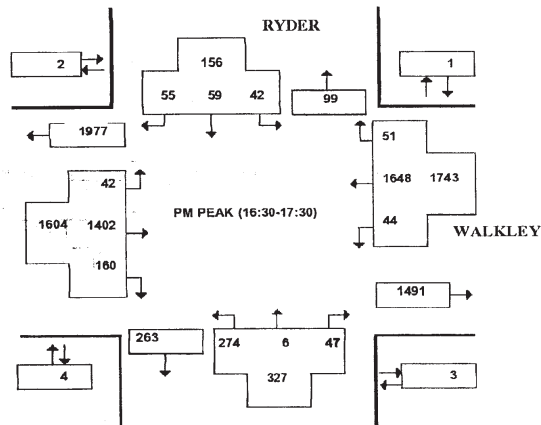
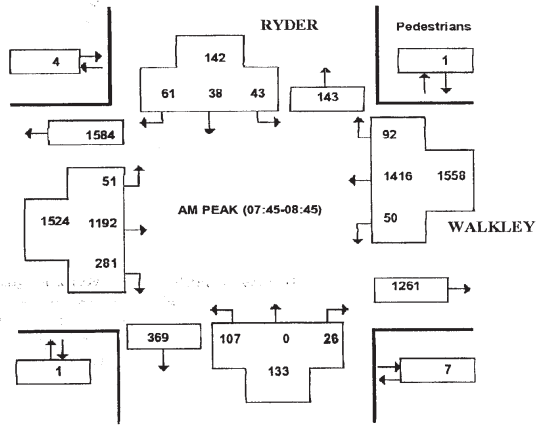
Count ID: 7354

**RYDER ST and WALKLEY RD**  
(ULRS Listing RYDER & WALKLEY)

Survey Date: Thursday 3 June 1999  
 Conditions: Dry  
 Start Time: 0700

Total Observed U-Turns  
 Northbound: 0 Southbound: 1  
 Eastbound: 12 Westbound: 5

AADT Factor  
 Thursday in June is 0.9



Approved by: DI

Printed on: 15/07/2008



Public Works and Services Department

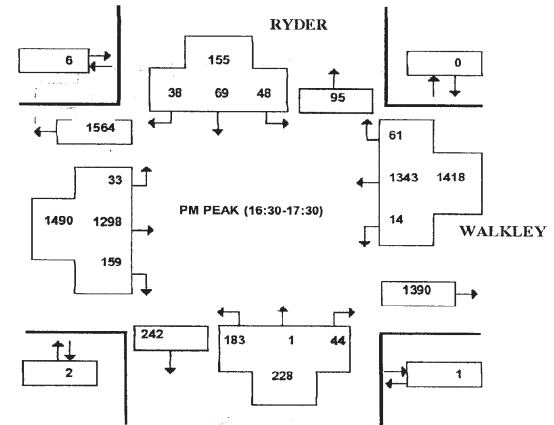
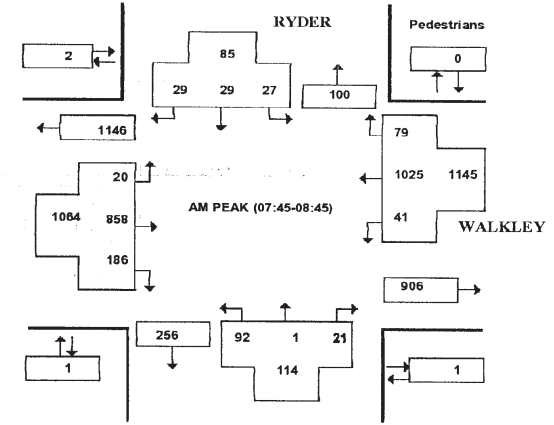
Count ID: 7134

**RYDER ST and WALKLEY RD**  
(ULRS Listing RYDER & WALKLEY)

Survey Date: Friday 26 June 1998  
 Conditions: Dry  
 Start Time: 0700

Total Observed U-Turns  
 Northbound: 0 Southbound: 0  
 Eastbound: 0 Westbound: 0

AADT Factor  
 Friday in June is 0.8



Approved by: JM

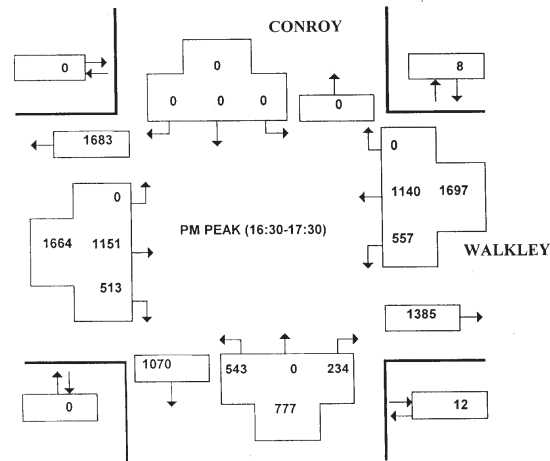
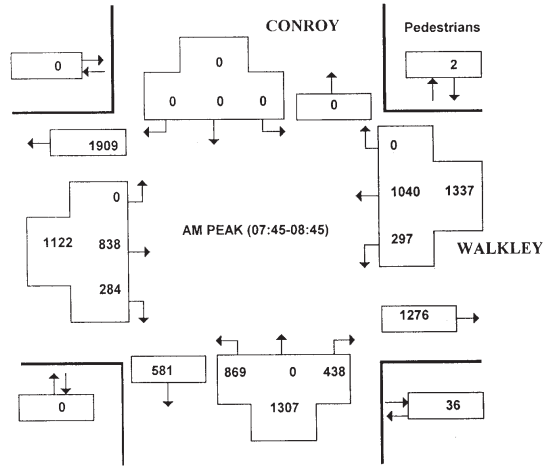
Printed on: 15/07/2008

**CONROY RD and WALKLEY RD**  
(ULRS Listing CONROY & WALKLEY)

Survey Date: Tuesday 19 June 2007  
 Conditions: dry  
 Start Time: 0700

**Total Observed U-Turns**  
 Northbound: 129 Southbound: 0  
 Eastbound: 3 Westbound: 1

**AADT Factor**  
 Tuesday in June is  
 0.9



Approved by : JM

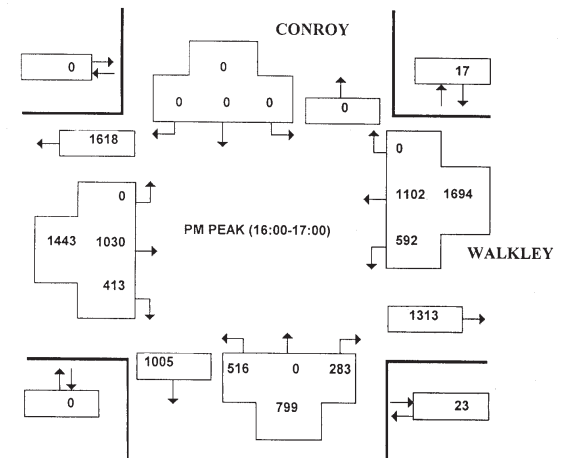
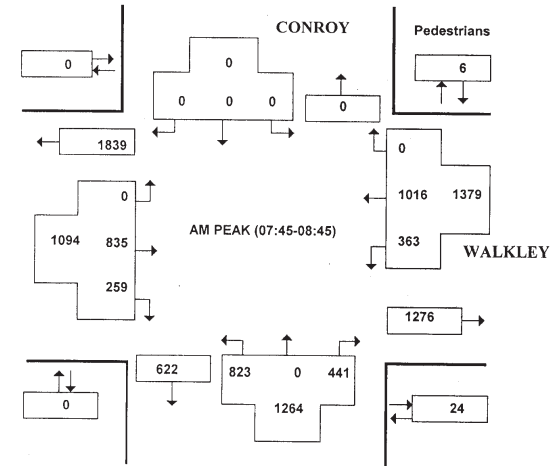
Printed on : 20/06/2008

**CONROY RD and WALKLEY RD**  
(ULRS Listing CONROY & WALKLEY)

Survey Date: Friday 19 May 2006  
 Conditions: DRY  
 Start Time: 0700

**Total Observed U-Turns**  
 Northbound: 126 Southbound: 0  
 Eastbound: 2 Westbound: 1

**AADT Factor**  
 Friday in May is  
 0.8



Approved by : GZ

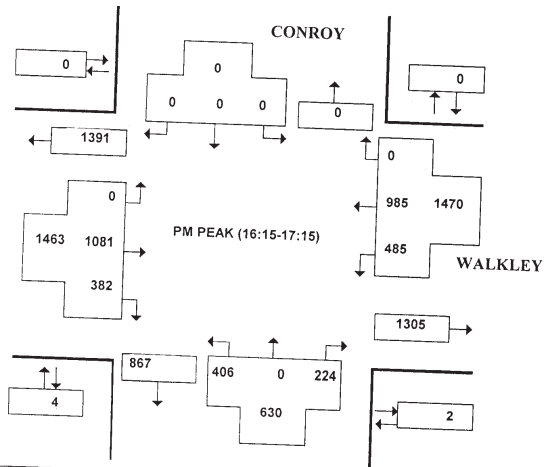
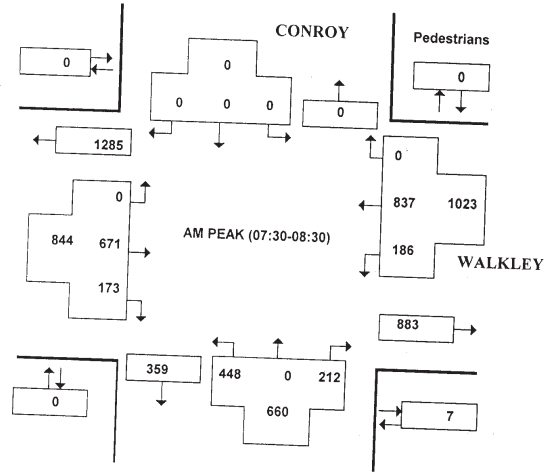
Printed on : 20/06/2008

### CONROY RD and WALKLEY RD (ULRS Listing CONROY & WALKLEY)

Survey Date: Monday 9 August 2004  
Conditions: DRY  
Start Time: 0700

**Total Observed U-Turns**  
Northbound: 0 Southbound: 0  
Eastbound: 4 Westbound: 0

**AADT Factor**  
Monday in August is 1



Approved by : DT

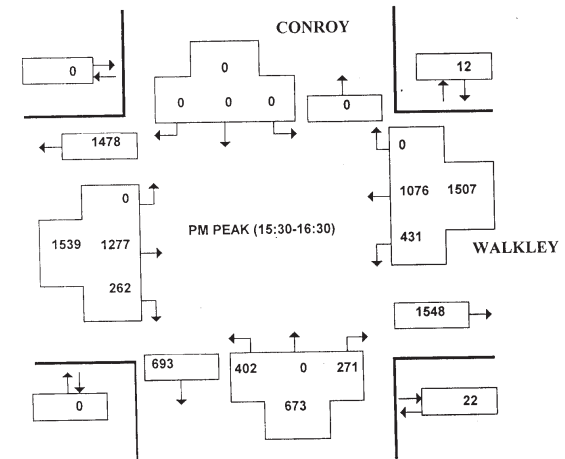
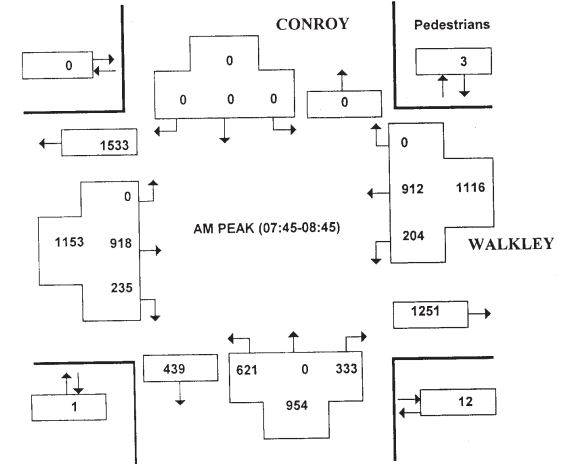
Printed on : 20/06/2008

### CONROY RD and WALKLEY RD (ULRS Listing CONROY & WALKLEY)

Survey Date: Friday 16 May 2003  
Conditions: DRY  
Start Time: 0700

**Total Observed U-Turns**  
Northbound: 22 Southbound: 0  
Eastbound: 0 Westbound: 3

**AADT Factor**  
Friday in May is 0.8



Approved by : GZ

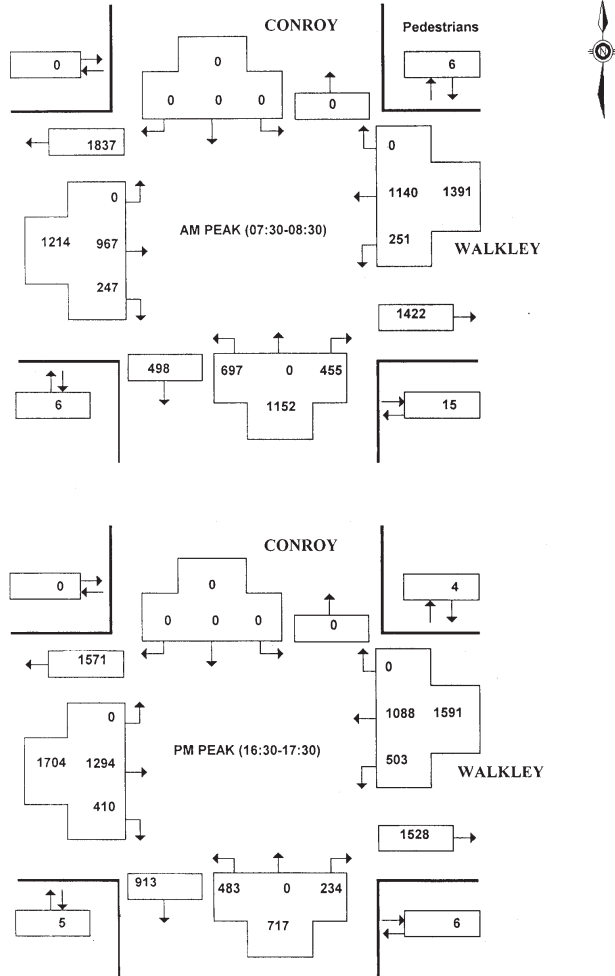
Printed on : 20/06/2008

**CONROY RD and WALKLEY RD**  
(ULRS Listing CONROY & WALKLEY)

Survey Date: Wednesday 6 June 2001  
 Conditions: Dry  
 Start Time: 0700

**Total Observed U-Turns**  
 Northbound: 55 Southbound: 0  
 Eastbound: 0 Westbound: 1

**AADT Factor**  
 Wednesday in June is  
 0.9



Approved by : GT

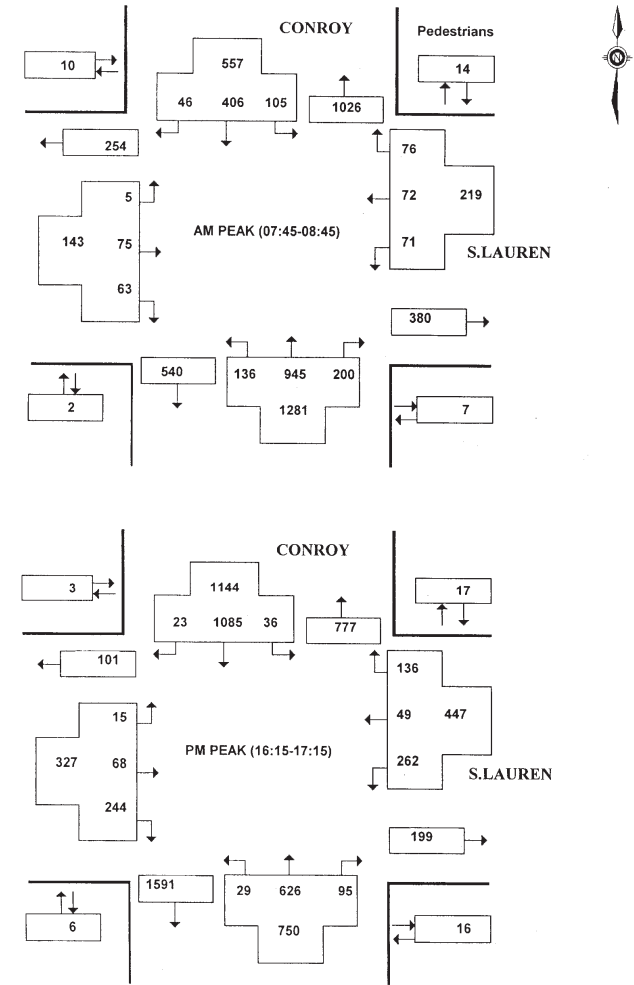
Printed on : 20/06/2008

**CONROY RD and ST. LAURENT BLVD**  
(ULRS Listing CONROY & S.LAUREN)

Survey Date: Thursday 5 July 2007  
 Conditions: dry  
 Start Time: 0700

**Total Observed U-Turns**  
 Northbound: 12 Southbound: 0  
 Eastbound: 0 Westbound: 0

**AADT Factor**  
 Thursday in July is  
 0.9



Approved by : DT

Printed on : 20/06/2008

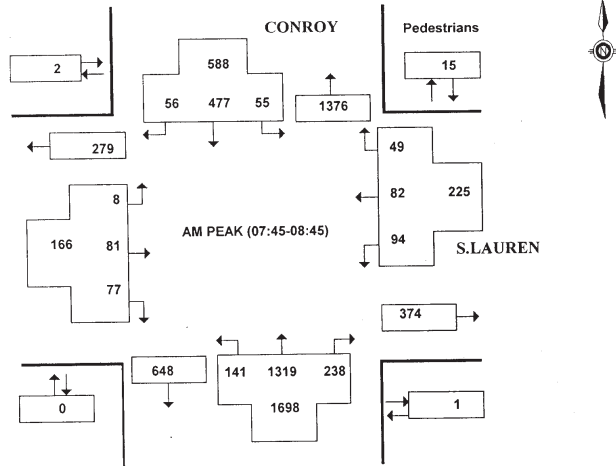


**CONROY RD and ST. LAUREN BLVD**  
(ULRS Listing CONROY & S.LAUREN)

Survey Date: Wednesday 31 May 2006  
 Conditions: DRY  
 Start Time: 0700

**Total Observed U-Turns**  
 Northbound: 5 Southbound: 0  
 Eastbound: 0 Westbound: 0

**ADT Factor**  
 Wednesday in May is:  
 0.9



**CONROY**

0	958	4
8	937	13
114		84
10		56
258	35	283
213		130
1433	50	626
8	758	12

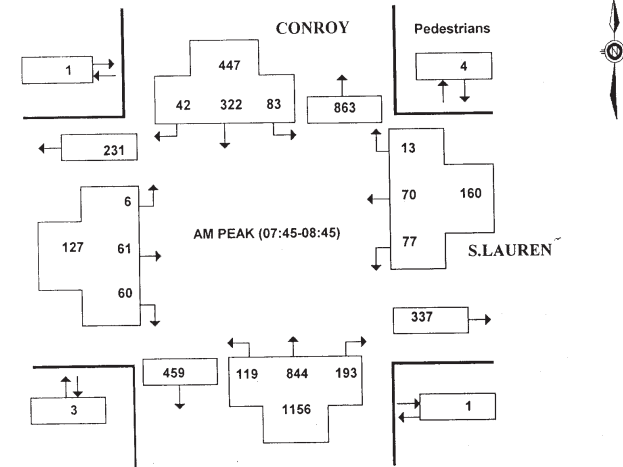
**S.LAUREN**

**CONROY RD and ST. LAUREN BLVD**  
(ULRS Listing CONROY & S.LAUREN)

Survey Date: Monday 23 August 2004  
 Conditions: DRY  
 Start Time: 0700

**Total Observed U-Turns**  
 Northbound: 7 Southbound: 22  
 Eastbound: 0 Westbound: 0

**ADT Factor**  
 Monday in August is:  
 1



**CONROY**

5	906	2
28	846	32
135		48
17		67
309	76	289
216		200
1351	40	576
6	708	5

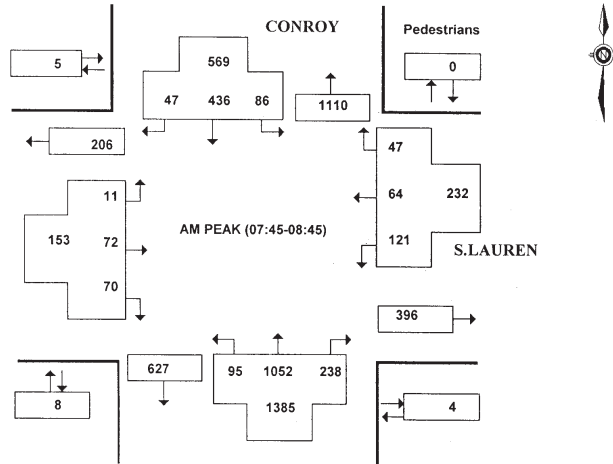
**S.LAUREN**

**CONROY RD and ST. LAURENT BLVD**  
(ULRS Listing CONROY & S.LAUREN)

Survey Date: Friday 20 June 2003  
 Conditions: DRY  
 Start Time: 0700

**Total Observed U-Turns**  
 Northbound: 11 Southbound: 0  
 Eastbound: 0 Westbound: 1

**AADT Factor**  
 Friday in June is  
 0.8



**CONROY**

8	854	4
27	800	27
130		71
10		61
315	88	381
217		223
1398	42	690
7	840	1

**PM PEAK (16:30-17:30)**

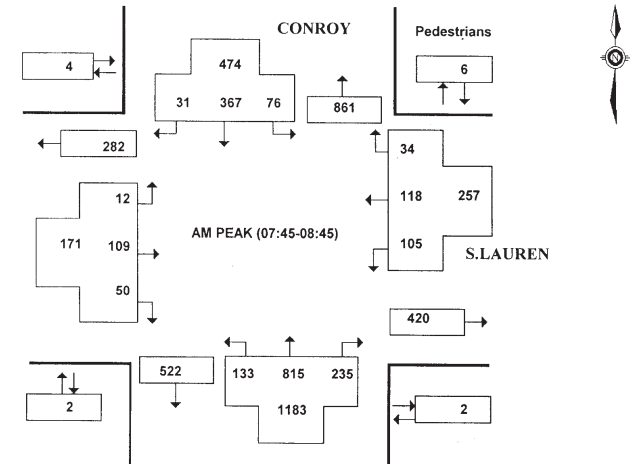
S.LAUREN

**CONROY RD and ST. LAURENT BLVD**  
(ULRS Listing CONROY & S.LAUREN)

Survey Date: Tuesday 4 July 2000  
 Conditions: Dry  
 Start Time: 0700

**Total Observed U-Turns**  
 Northbound: 6 Southbound: 9  
 Eastbound: 0 Westbound: 0

**AADT Factor**  
 Tuesday in July is  
 0.9



**CONROY**

2	836	13
9	776	51
132		107
17		86
363	94	414
252		286
1442	37	509
5	687	2

**PM PEAK (16:30-17:30)**

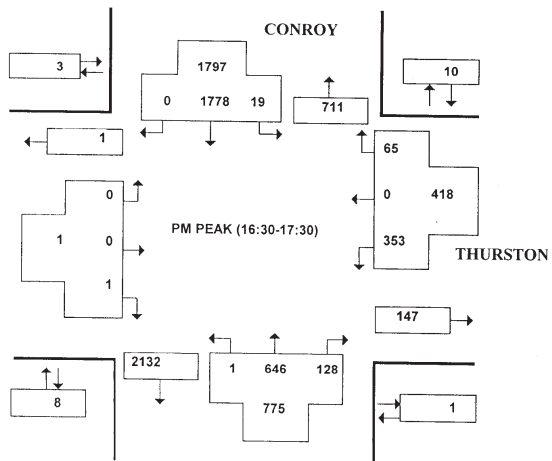
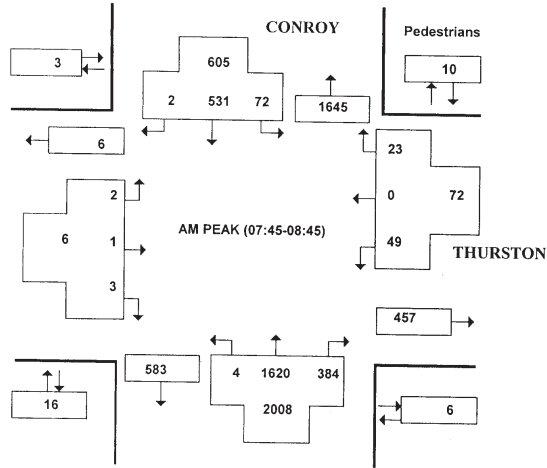
S.LAUREN

**CONROY RD and THURSTON DR**  
(ULRS Listing CONROY & THURSTON)

Survey Date: Monday 8 May 2006  
 Conditions: DRY  
 Start Time: 0700

**Total Observed U-Turns**  
 Northbound: 4 Southbound: 0  
 Eastbound: 0 Westbound: 0

**AADT Factor**  
 Monday in May is 1



Approved by : DT

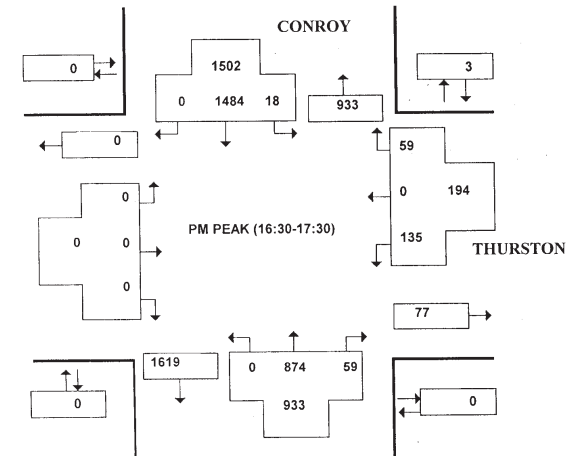
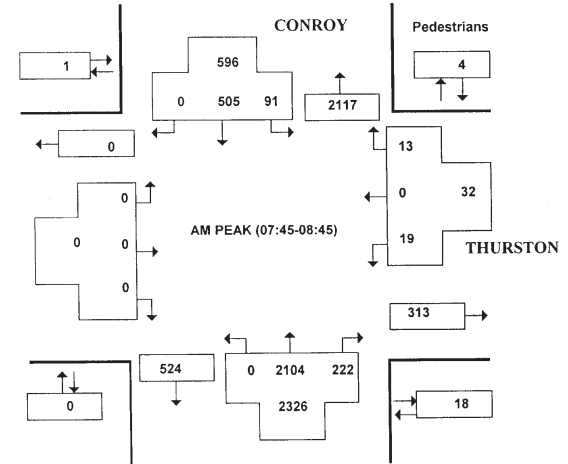
Printed on : 20/06/2008

**CONROY RD and THURSTON DR**  
(ULRS Listing CONROY & THURSTON)

Survey Date: Thursday 14 June 2001  
 Conditions: Dry  
 Start Time: 0700

**Total Observed U-Turns**  
 Northbound: 5 Southbound: 5  
 Eastbound: 0 Westbound: 0

**AADT Factor**  
 Thursday in June is 0.9



Approved by : GT

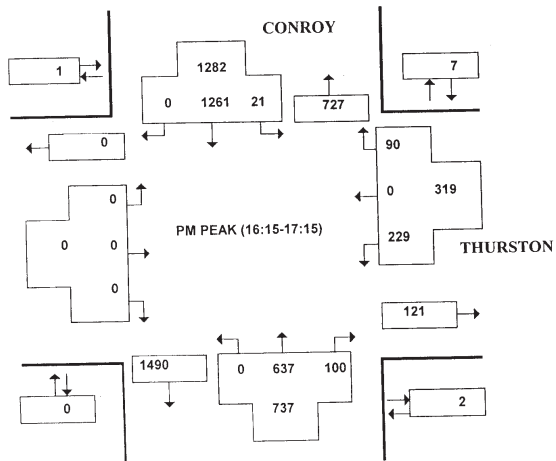
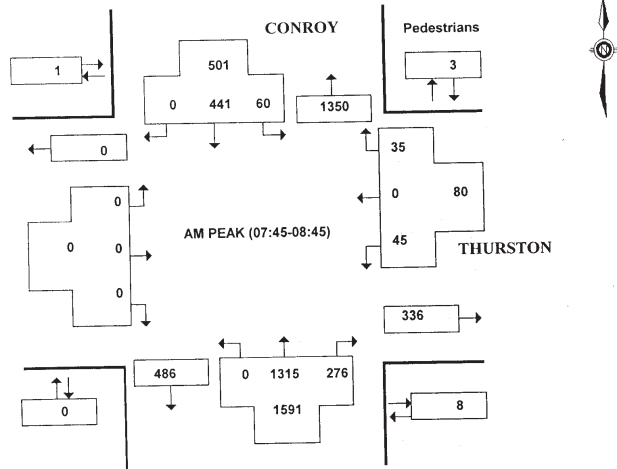
Printed on : 20/06/2008

**CONROY RD and THURSTON DR**  
(ULRS Listing CONROY & THURSTON)

Survey Date: Friday 20 June 2003  
 Conditions: DRY  
 Start Time: 0700

**Total Observed U-Turns**  
 Northbound: 0 Southbound: 7  
 Eastbound: 0 Westbound: 0

**AADT Factor**  
 Friday in June is  
 0.8



Approved by: GZ

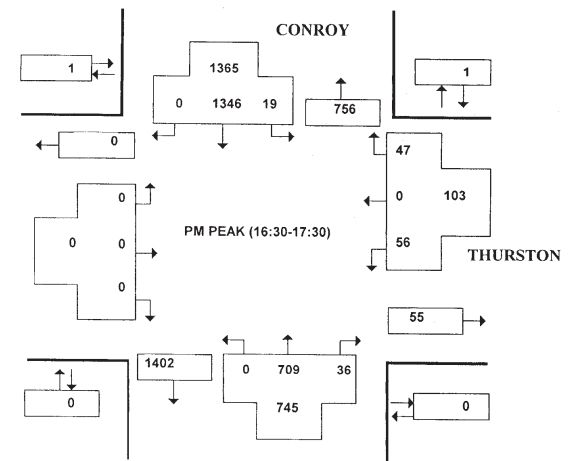
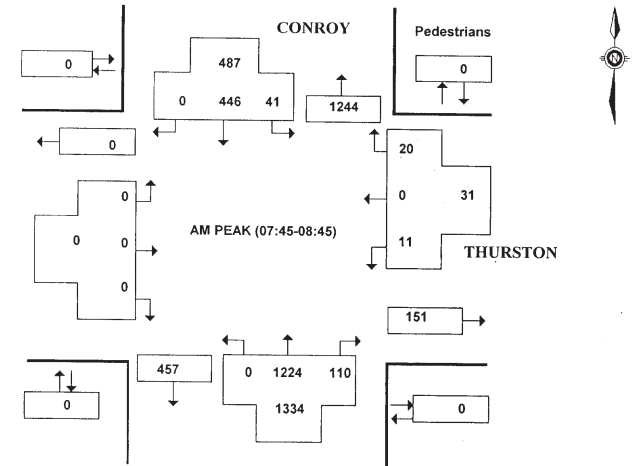
Printed on: 20/06/2008

**CONROY RD and THURSTON DR**  
(ULRS Listing CONROY & THURSTON)

Survey Date: Friday 16 August 1996  
 Conditions: Dry  
 Start Time: 0700

**Total Observed U-Turns**  
 Northbound: 0 Southbound: 1  
 Eastbound: 0 Westbound: 0

**AADT Factor**  
 Friday in August is  
 0.9



Approved by: DT

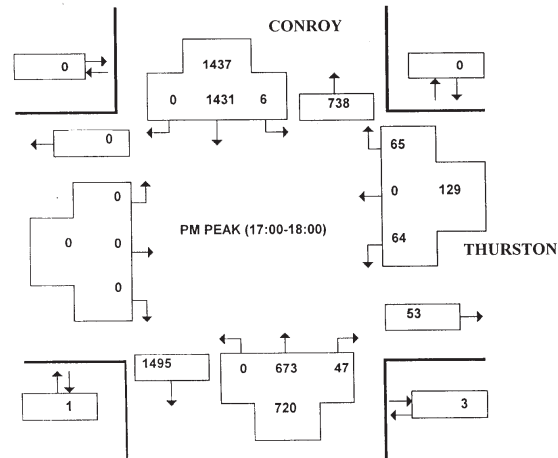
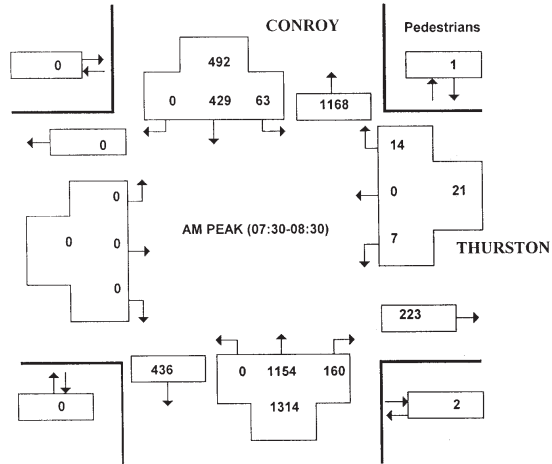
Printed on: 20/06/2008

**CONROY RD and THURSTON DR**  
(ULRS Listing CONROY & THURSTON)

Survey Date: Thursday 29 June 1995  
 Conditions: Dry  
 Start Time: 0700

**Total Observed U-Turns**  
 Northbound: 0 Southbound: 0  
 Eastbound: 0 Westbound: 0

**AADT Factor**  
 Thursday in June is 0.9

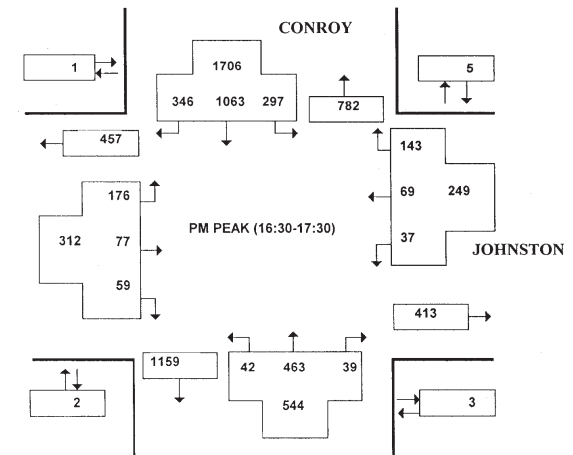
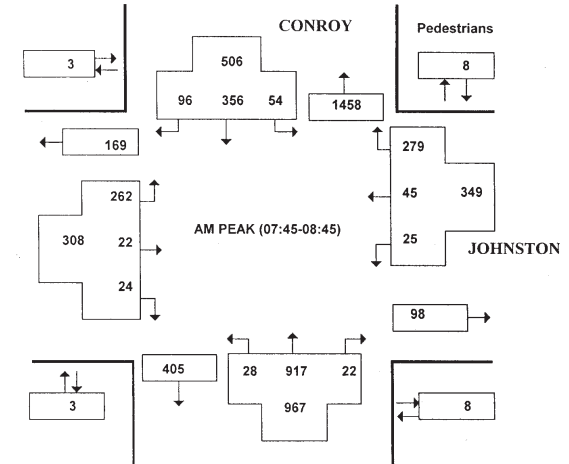


**CONROY RD and JOHNSTON RD**  
(ULRS Listing CONROY & JOHNSTON)

Survey Date: Friday 29 June 2007  
 Conditions: DRY  
 Start Time: 0700

**Total Observed U-Turns**  
 Northbound: 0 Southbound: 16  
 Eastbound: 1 Westbound: 0

**AADT Factor**  
 Friday in June is 0.8

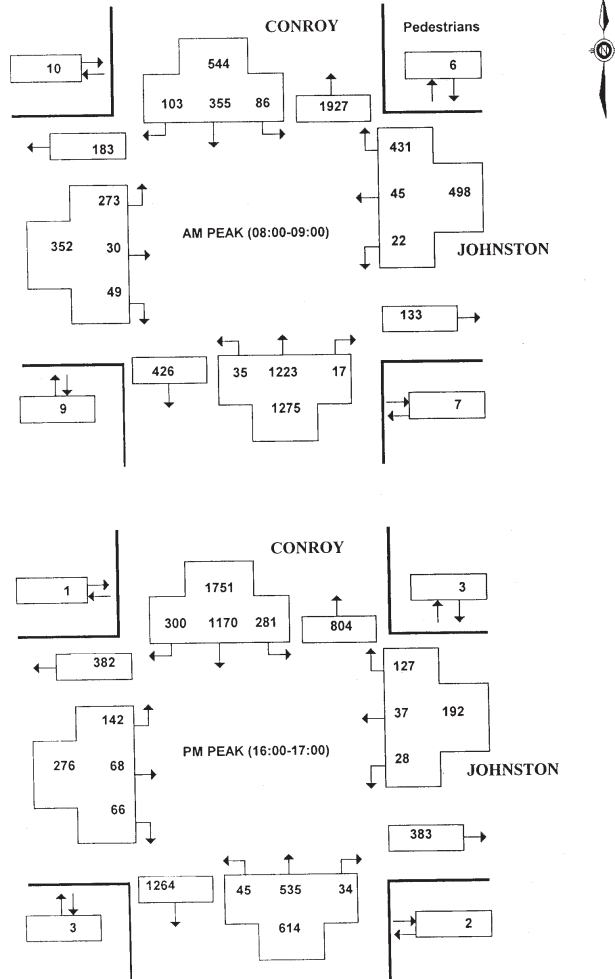


**CONROY RD and JOHNSTON RD**  
(ULRS Listing CONROY & JOHNSTON)

Survey Date: Wednesday 10 May 2006  
 Conditions: DRY  
 Start Time: 0700

**Total Observed U-Turns**  
 Northbound: 3 Southbound: 7  
 Eastbound: 1 Westbound: 0

**AADT Factor**  
 Wednesday in May is:  
 0.9



Approved by : GZ

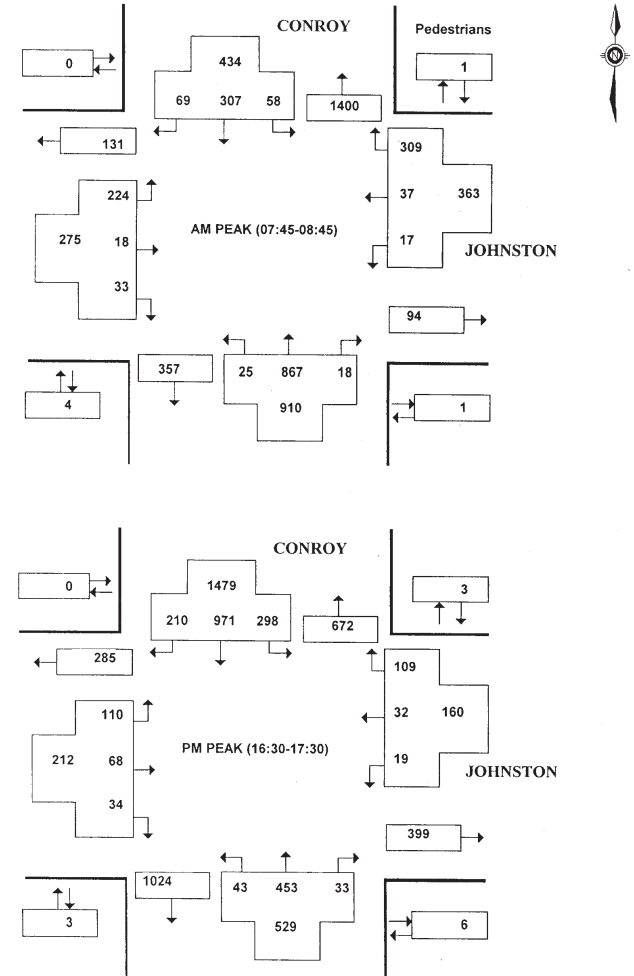
Printed on : 20/06/2008

**CONROY RD and JOHNSTON RD**  
(ULRS Listing CONROY & JOHNSTON)

Survey Date: Tuesday 17 August 2004  
 Conditions: DRY  
 Start Time: 0700

**Total Observed U-Turns**  
 Northbound: 0 Southbound: 11  
 Eastbound: 1 Westbound: 0

**AADT Factor**  
 Tuesday in August is:  
 0.9



Approved by : DT

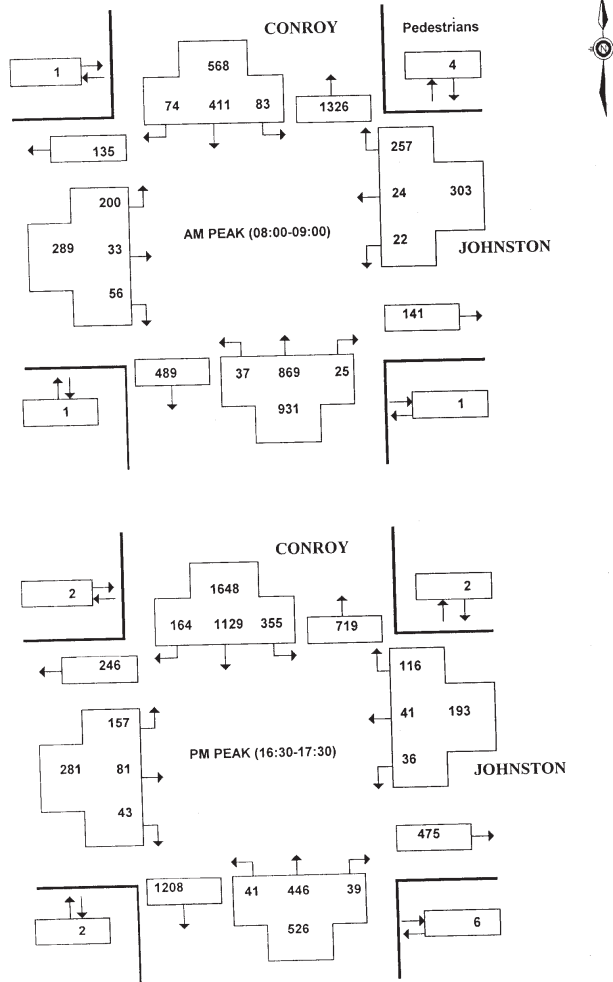
Printed on : 20/06/2008

**CONROY RD and JOHNSTON RD**  
(ULRS Listing CONROY & JOHNSTON)

Survey Date: Monday 23 June 2003  
 Conditions: DRY  
 Start Time: 0700

**Total Observed U-Turns**  
 Northbound: 0 Southbound: 14  
 Eastbound: 0 Westbound: 0

**AADT Factor**  
 Monday in June is  
 0.9



Approved by : DT

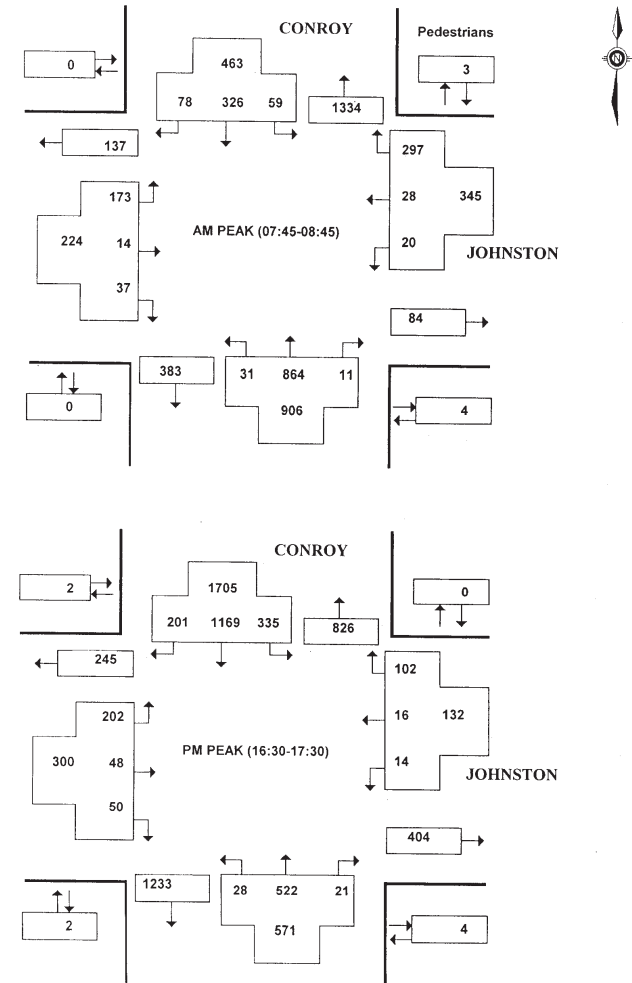
Printed on : 20/06/2008

**CONROY RD and JOHNSTON RD**  
(ULRS Listing CONROY & JOHNSTON)

Survey Date: Tuesday 20 August 2002  
 Conditions: DRY  
 Start Time: 0700

**Total Observed U-Turns**  
 Northbound: 2 Southbound: 4  
 Eastbound: 0 Westbound: 0

**AADT Factor**  
 Tuesday in August is  
 0.9



Approved by : DG1

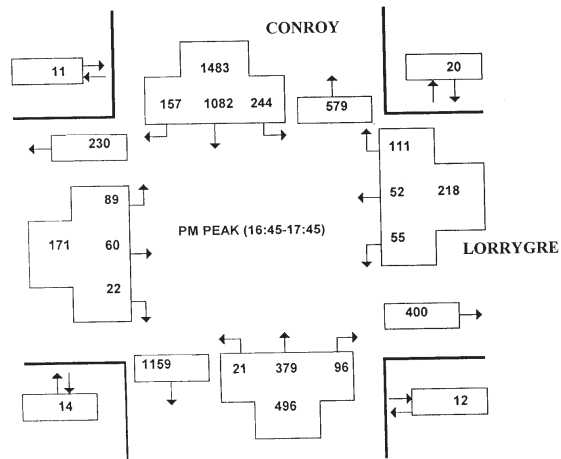
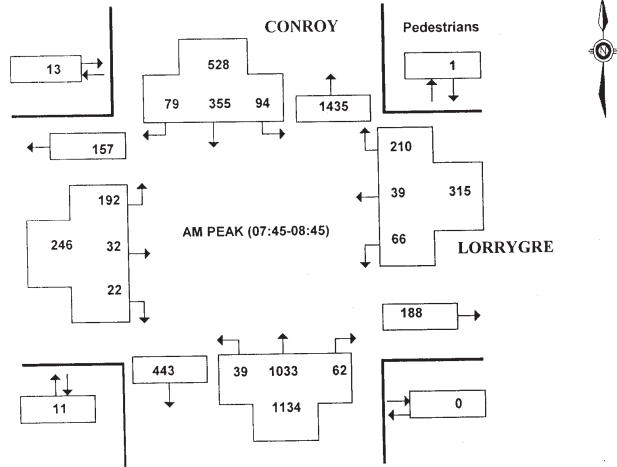
Printed on : 20/06/2008

**CONROY RD and LORRY GREENBERG DR**  
(ULRS Listing CONROY & LORRYGRE)

Survey Date: Tuesday 1 May 2007  
 Conditions: DRY  
 Start Time: 0700

**Total Observed U-Turns**  
 Northbound: 3 Southbound: 2  
 Eastbound: 0 Westbound: 4

**AADT Factor**  
 Tuesday in May is  
 0.9



Approved by : AW

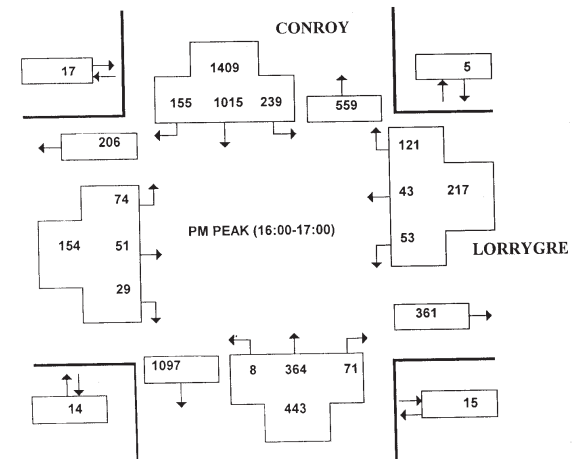
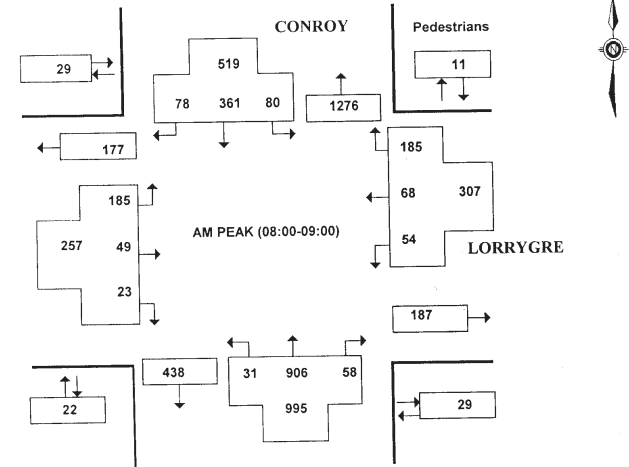
Printed on : 20/06/2008

**CONROY RD and LORRY GREENBERG DR**  
(ULRS Listing CONROY & LORRYGRE)

Survey Date: Monday 29 May 2006  
 Conditions: DRY  
 Start Time: 0700

**Total Observed U-Turns**  
 Northbound: 2 Southbound: 0  
 Eastbound: 0 Westbound: 0

**AADT Factor**  
 Monday in May is  
 1



Approved by : GZ

Printed on : 20/06/2008

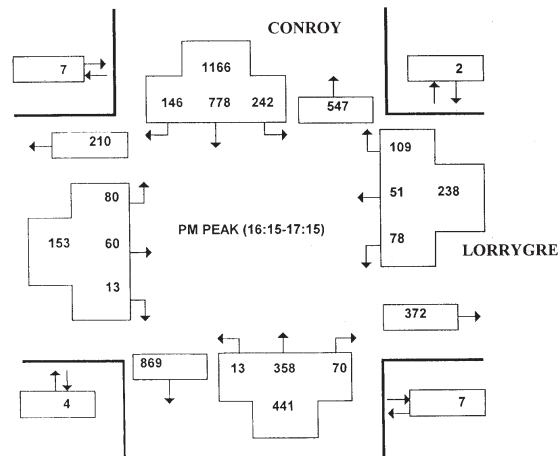
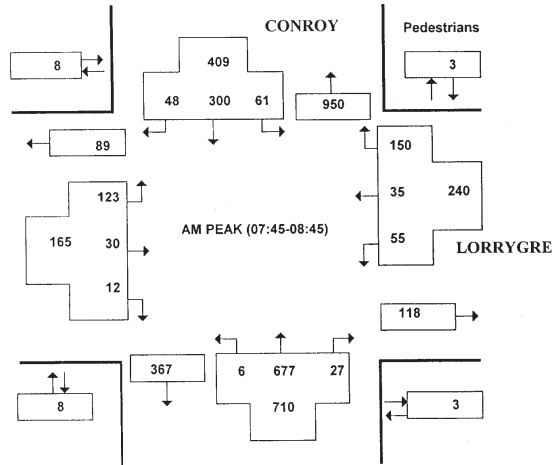


**CONROY RD and LORRY GREENBERG DR**  
(ULRS Listing CONROY & LORRYGRE)

Survey Date: Friday 9 July 2004  
Conditions: DRY  
Start Time: 0700

**Total Observed U-Turns**  
Northbound: 2 Southbound: 0  
Eastbound: 0 Westbound: 0

**AADT Factor**  
Friday in July is  
0.9

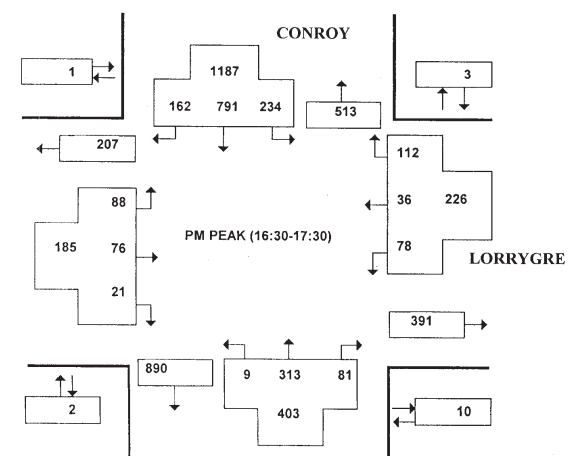
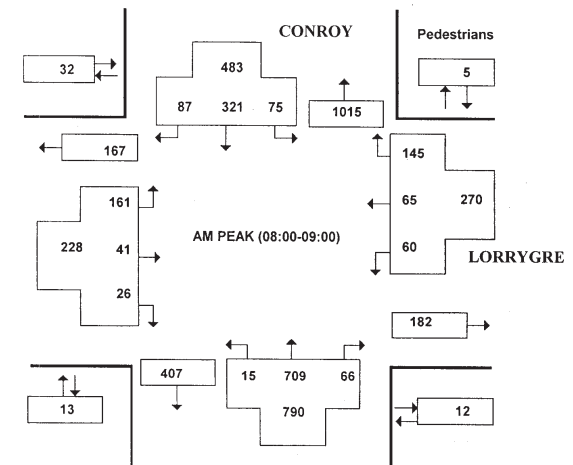


**CONROY RD and LORRY GREENBERG DR**  
(ULRS Listing CONROY & LORRYGRE)

Survey Date: Monday 23 June 2003  
Conditions: DRY  
Start Time: 0700

**Total Observed U-Turns**  
Northbound: 0 Southbound: 0  
Eastbound: 0 Westbound: 0

**AADT Factor**  
Monday in June is  
0.9

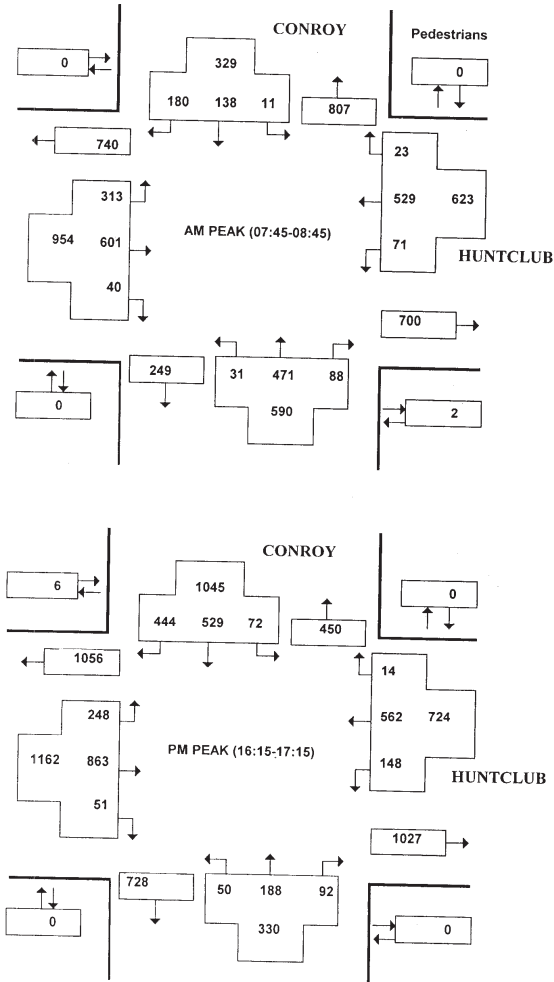


**CONROY RD and HUNT CLUB RD**  
(ULRS Listing CONROY & HUNTCLUB)

Survey Date: Thursday 5 July 2007  
 Conditions: dry  
 Start Time: 0700

**Total Observed U-Turns**  
 Northbound: 0 Southbound: 1  
 Eastbound: 4 Westbound: 1

**AADT Factor**  
 Thursday in July is  
 0.9

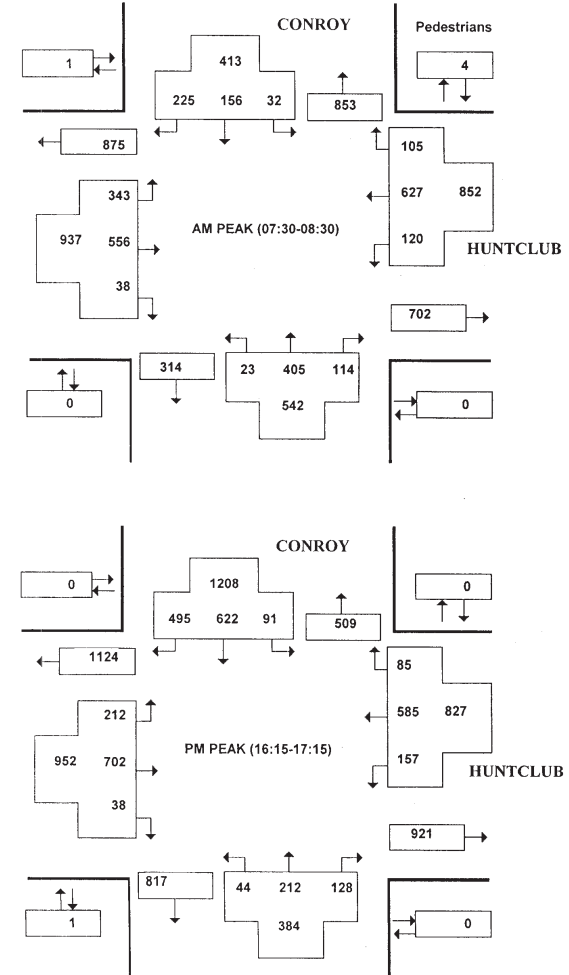


**CONROY RD and HUNT CLUB RD**  
(ULRS Listing CONROY & HUNTCLUB)

Survey Date: Wednesday 24 May 2006  
 Conditions: DRY  
 Start Time: 0700

**Total Observed U-Turns**  
 Northbound: 0 Southbound: 0  
 Eastbound: 0 Westbound: 0

**AADT Factor**  
 Wednesday in May is  
 0.9

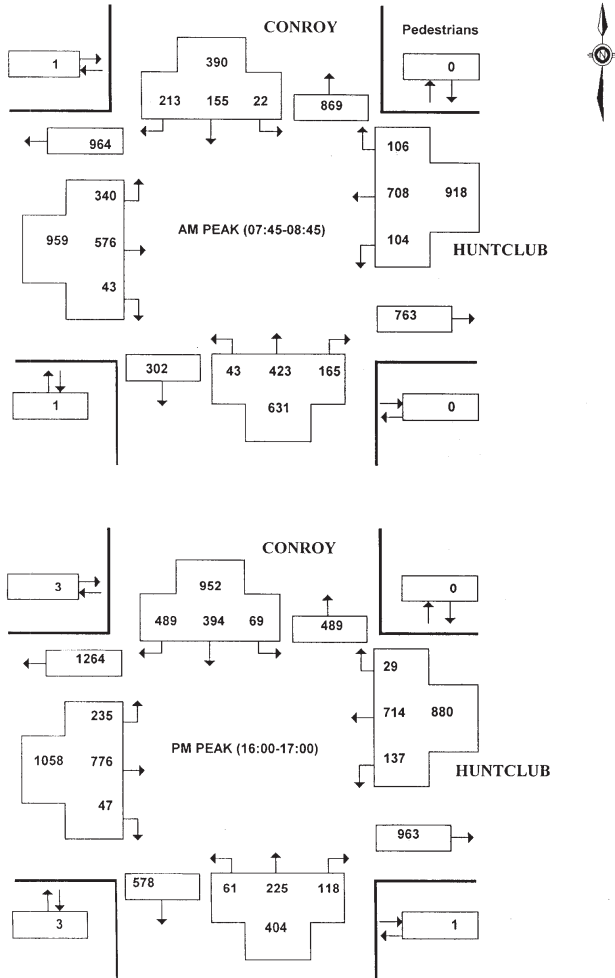


**CONROY RD and HUNT CLUB RD**  
(ULRS Listing CONROY & HUNTCLUB)

Survey Date: Friday 7 May 2004  
Conditions: DRY  
Start Time: 0700

**Total Observed U-Turns**  
Northbound: 0 Southbound: 1  
Eastbound: 10 Westbound: 2

**AADT Factor**  
Friday in May is  
0.8

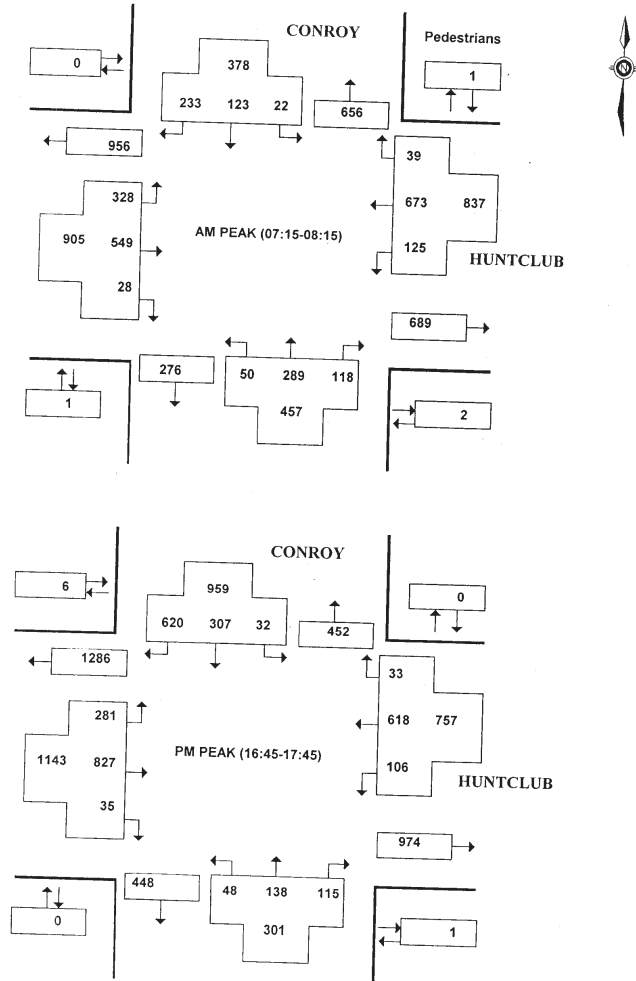


**CONROY RD and HUNT CLUB RD**  
(ULRS Listing CONROY & HUNTCLUB)

Survey Date: Tuesday 3 July 2001  
Conditions: Dry  
Start Time: 0700

**Total Observed U-Turns**  
Northbound: 0 Southbound: 3  
Eastbound: 9 Westbound: 1

**AADT Factor**  
Tuesday in July is  
0.9

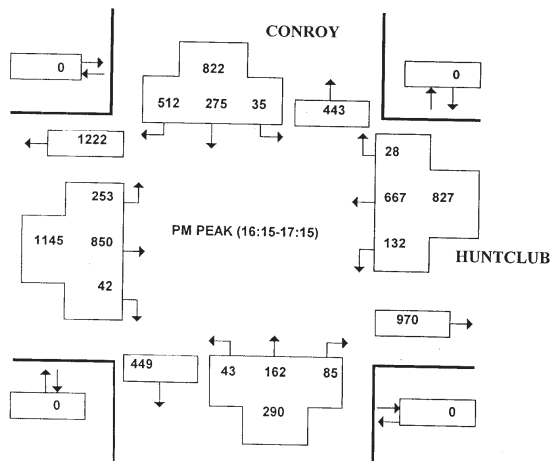
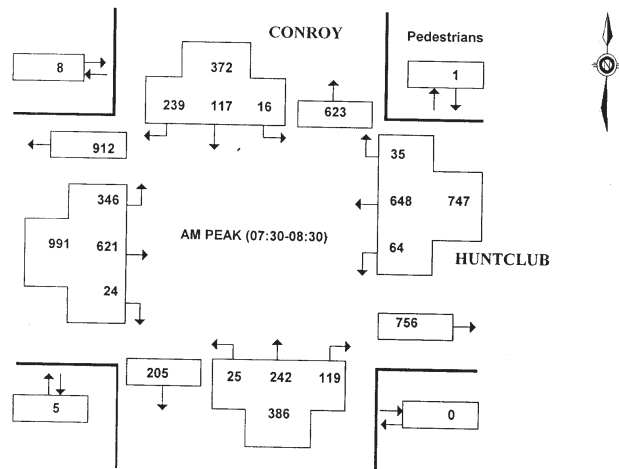


**CONROY RD and HUNT CLUB RD**  
(ULRS Listing CONROY & HUNTCLUB)

Survey Date: Monday 10 July 2000  
 Conditions: Dry  
 Start Time: 0700

**Total Observed U-Turns**  
 Northbound: 0 Southbound: 6  
 Eastbound: 3 Westbound: 0

**AADT Factor**  
 Monday in July is 1



Approved by: DT

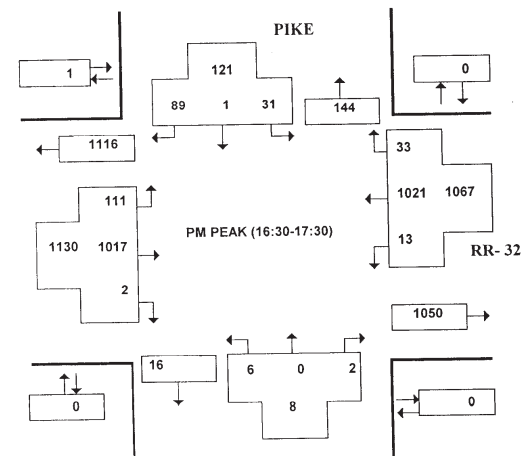
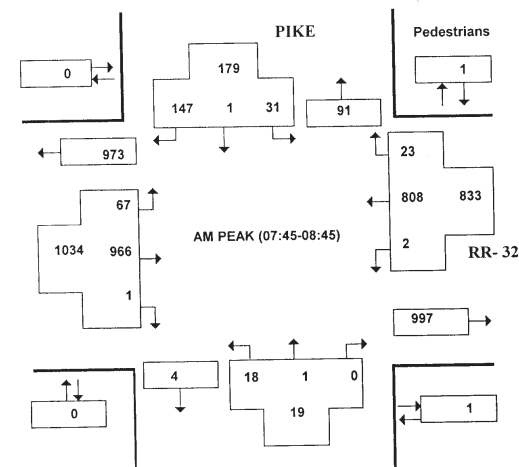
Printed on: 20/06/2008

**HUNTCLUB ROAD and PIKE STREET**  
(ULRS Listing RR-32 & PIKE)

Survey Date: Tuesday 27 June 2006  
 Conditions: WET  
 Start Time: 0700

**Total Observed U-Turns**  
 Northbound: 0 Southbound: 0  
 Eastbound: 21 Westbound: 13

**AADT Factor**  
 Tuesday in June is 0.9



Approved by: DT

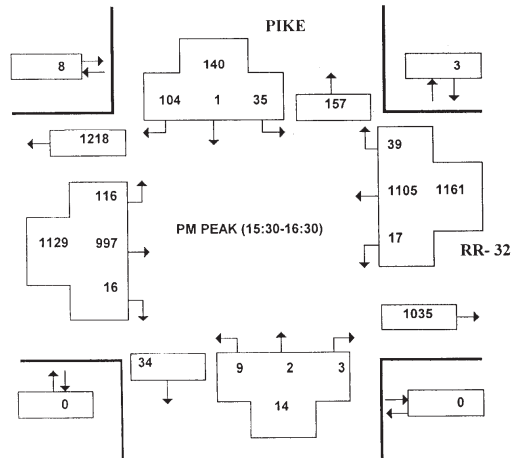
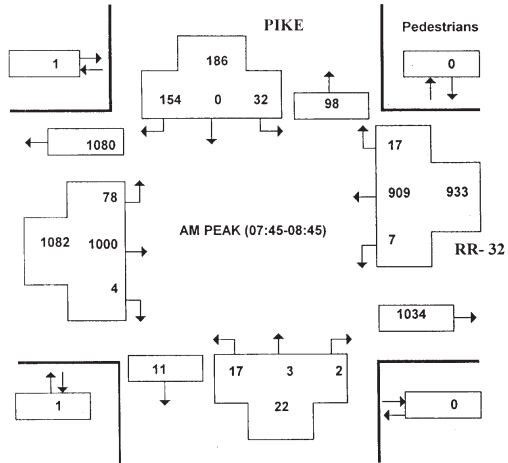
Printed on: 20/06/2008

**HUNTCLUB ROAD and PIKE STREET**  
(ULRS Listing RR- 32 & PIKE)

Survey Date: Friday 18 June 2004  
 Conditions: DRY  
 Start Time: 0700

**Total Observed U-Turns**  
 Northbound: 0 Southbound: 0  
 Eastbound: 0 Westbound: 12

**AADT Factor**  
 Friday in June is  
 0.8

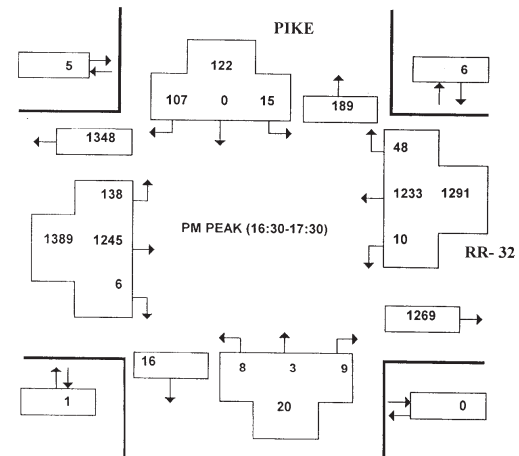
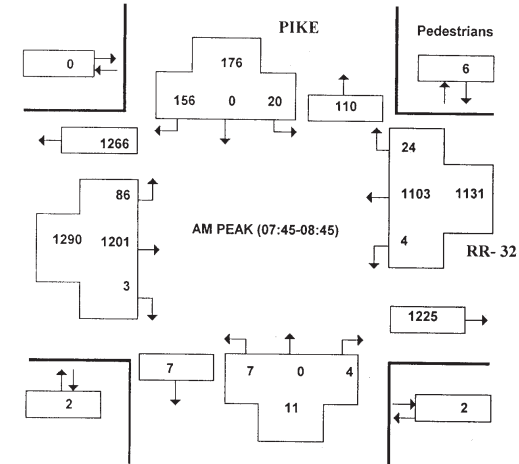


**HUNTCLUB ROAD and PIKE STREET**  
(ULRS Listing RR- 32 & PIKE)

Survey Date: Thursday 10 May 2001  
 Conditions: Dry  
 Start Time: 0700

**Total Observed U-Turns**  
 Northbound: 0 Southbound: 0  
 Eastbound: 0 Westbound: 0

**AADT Factor**  
 Thursday in May is  
 0.9

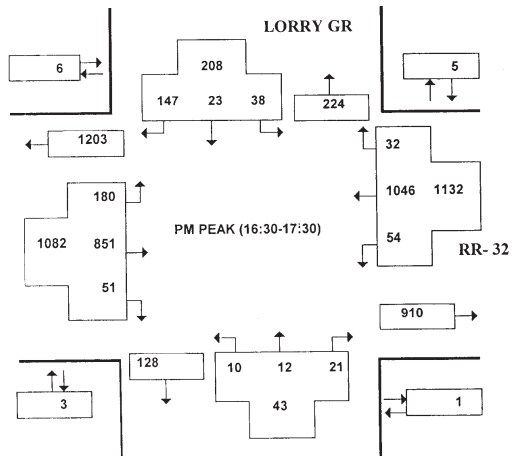
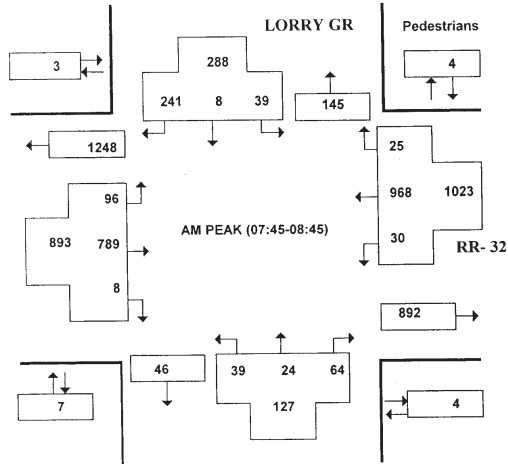


**HUNT CLUB and LORRY GREENBURG**  
(ULRS Listing RR-32 & LORRY GR)

Survey Date: Tuesday 20 June 2006  
 Conditions: DRY  
 Start Time: 0700

**Total Observed U-Turns**  
 Northbound: 0 Southbound: 0  
 Eastbound: 2 Westbound: 21

**AADT Factor**  
 Tuesday in June is  
 0.9



Approved by : SS

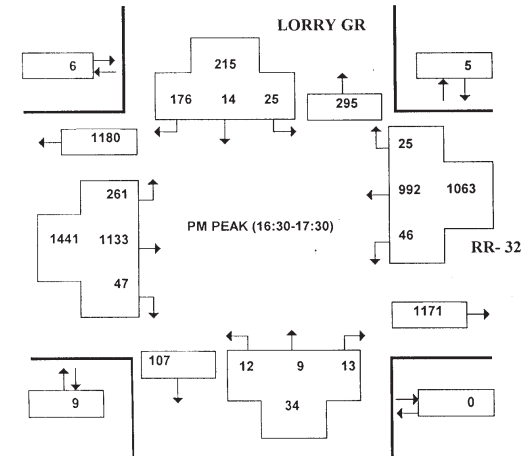
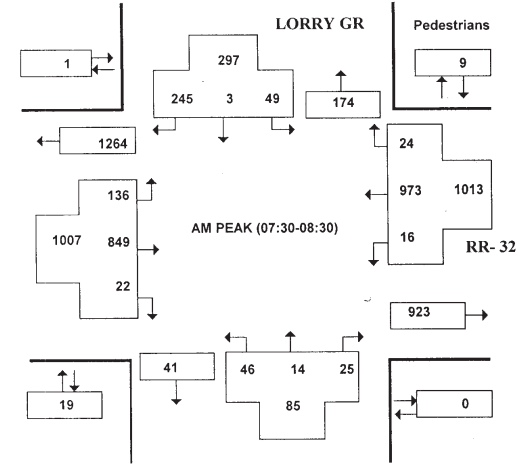
Printed on : 20/06/2008

**HUNT CLUB and LORRY GREENBURG**  
(ULRS Listing RR-32 & LORRY GR)

Survey Date: Tuesday 6 July 2004  
 Conditions: DRY  
 Start Time: 0700

**Total Observed U-Turns**  
 Northbound: 0 Southbound: 0  
 Eastbound: 0 Westbound: 11

**AADT Factor**  
 Tuesday in July is  
 0.9



Approved by : DT

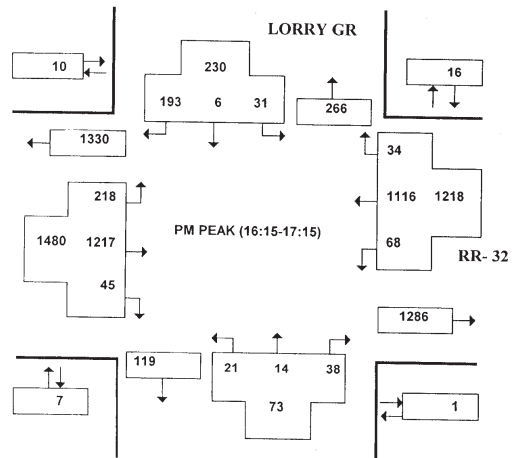
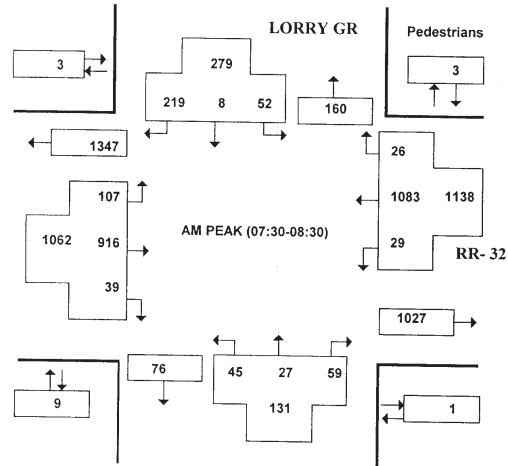
Printed on : 20/06/2008

**HUNT CLUB and LORRY GREENBURG**  
(ULRS Listing RR- 32 & LORRY GR)

Survey Date: Wednesday 26 June 2002  
Conditions: DRY  
Start Time: 0700

**Total Observed U-Turns**  
Northbound: 0 Southbound: 0  
Eastbound: 3 Westbound: 16

**AADT Factor**  
Wednesday in June is:  
0.9



Approved by : DT

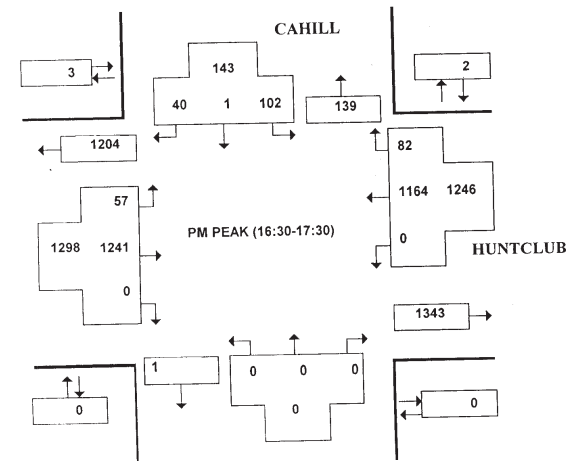
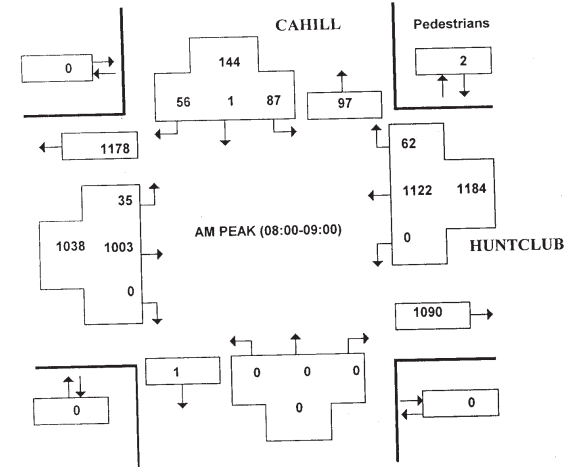
Printed on : 20/06/2008

**CAHILL DR and HUNT CLUB RD**  
(ULRS Listing CAHILL & HUNTCLUB)

Survey Date: Friday 9 May 2008  
Conditions: DRY  
Start Time: 0700

**Total Observed U-Turns**  
Northbound: 0 Southbound: 0  
Eastbound: 0 Westbound: 0

**AADT Factor**  
Friday in May is  
0.8



Approved by : DT

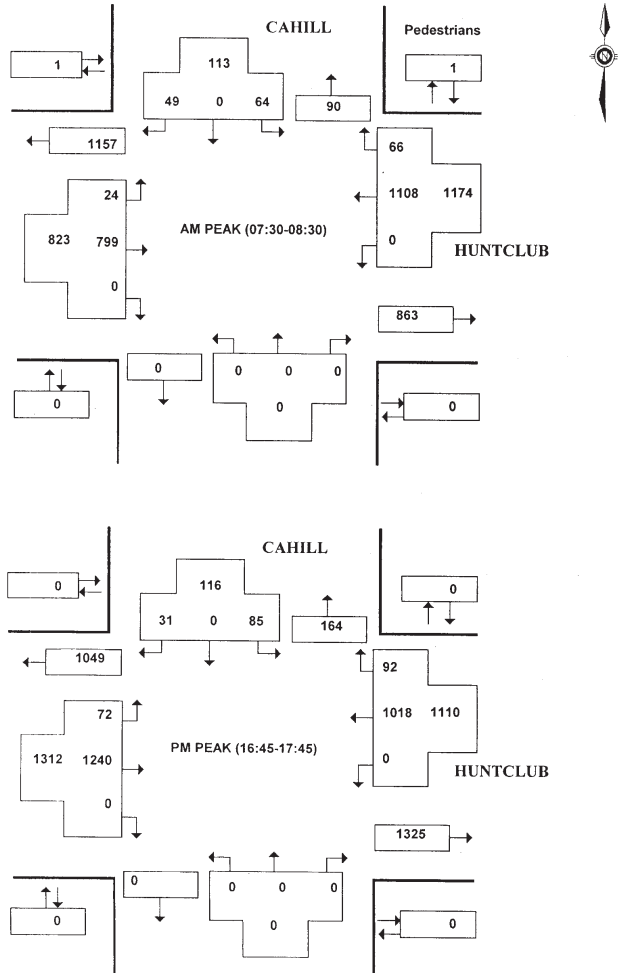
Printed on : 20/06/2008

**CAHILL DR and HUNT CLUB RD**  
(ULRS Listing CAHILL & HUNTCLUB)

Survey Date: Tuesday 11 July 2006  
Conditions: DRY  
Start Time: 0700

Total Observed U-Turns  
Northbound: 0 Southbound: 0  
Eastbound: 58 Westbound: 2

AADT Factor  
Tuesday in July is  
0.9

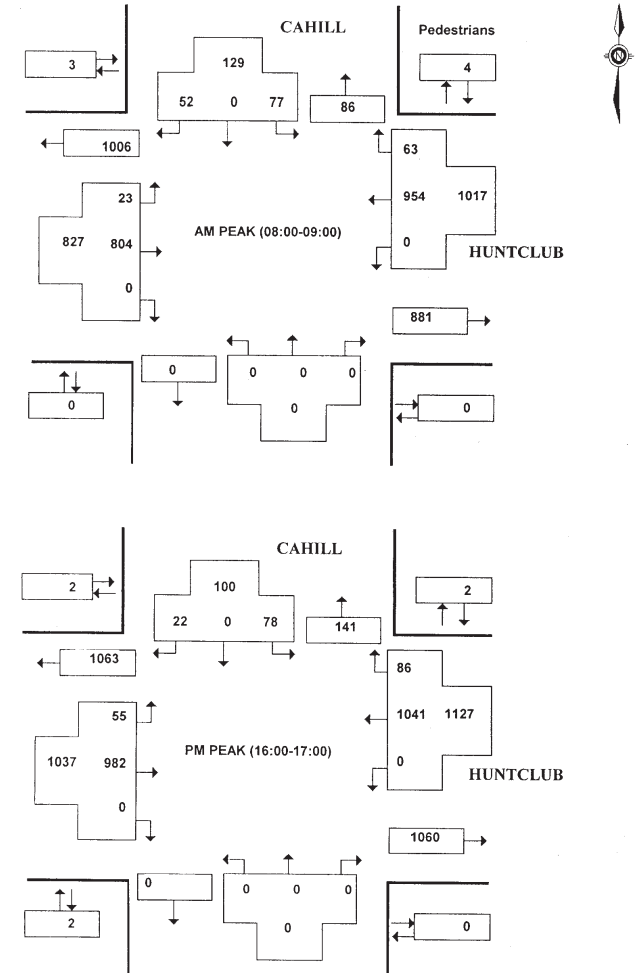


**CAHILL DR and HUNT CLUB RD**  
(ULRS Listing CAHILL & HUNTCLUB)

Survey Date: Tuesday 5 July 2005  
Conditions: DRY  
Start Time: 0700

Total Observed U-Turns  
Northbound: 0 Southbound: 0  
Eastbound: 45 Westbound: 0

AADT Factor  
Tuesday in July is  
0.9



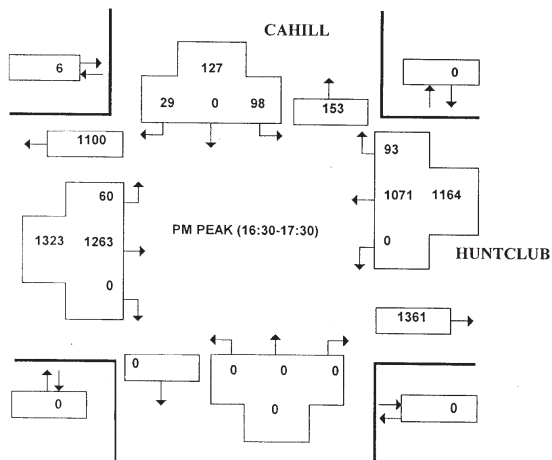
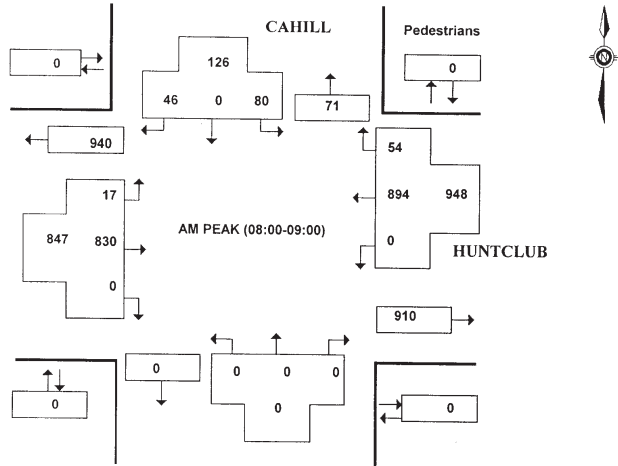


**CAHILL DR and HUNT CLUB RD**  
(ULRS Listing CAHILL & HUNTCLUB)

Survey Date: Tuesday 3 August 2004  
Conditions: WET  
Start Time: 0700

**Total Observed U-Turns**  
Northbound: 0 Southbound: 0  
Eastbound: 40 Westbound: 0

**AADT Factor**  
Tuesday in August is  
0.9



Approved by : DT

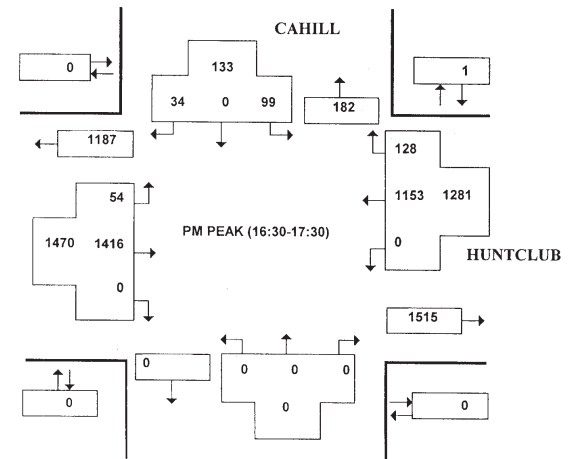
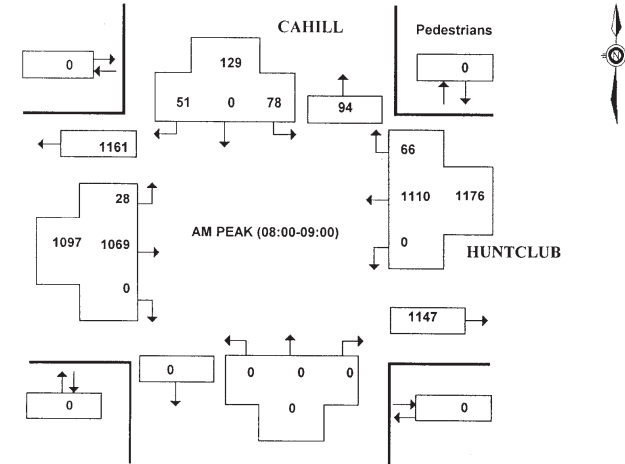
Printed on : 20/06/2008

**CAHILL DR and HUNT CLUB RD**  
(ULRS Listing CAHILL & HUNTCLUB)

Survey Date: Thursday 26 June 2003  
Conditions: DRY  
Start Time: 0700

**Total Observed U-Turns**  
Northbound: 0 Southbound: 0  
Eastbound: 30 Westbound: 0

**AADT Factor**  
Thursday in June is  
0.9



Approved by : DT

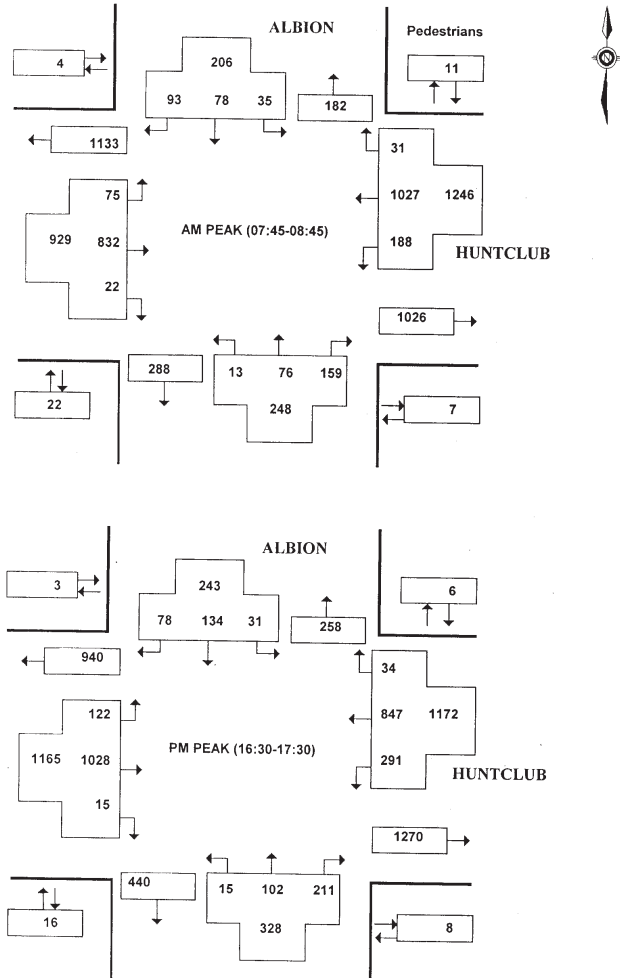
Printed on : 20/06/2008

**ALBION RD and HUNT CLUB RD**  
(ULRS Listing ALBION & HUNTCLUB)

Survey Date: Wednesday 27 June 2007  
Conditions: DRY  
Start Time: 0700

**Total Observed U-Turns**  
Northbound: 0 Southbound: 0  
Eastbound: 12 Westbound: 59

**AADT Factor**  
Wednesday in June is  
0.9

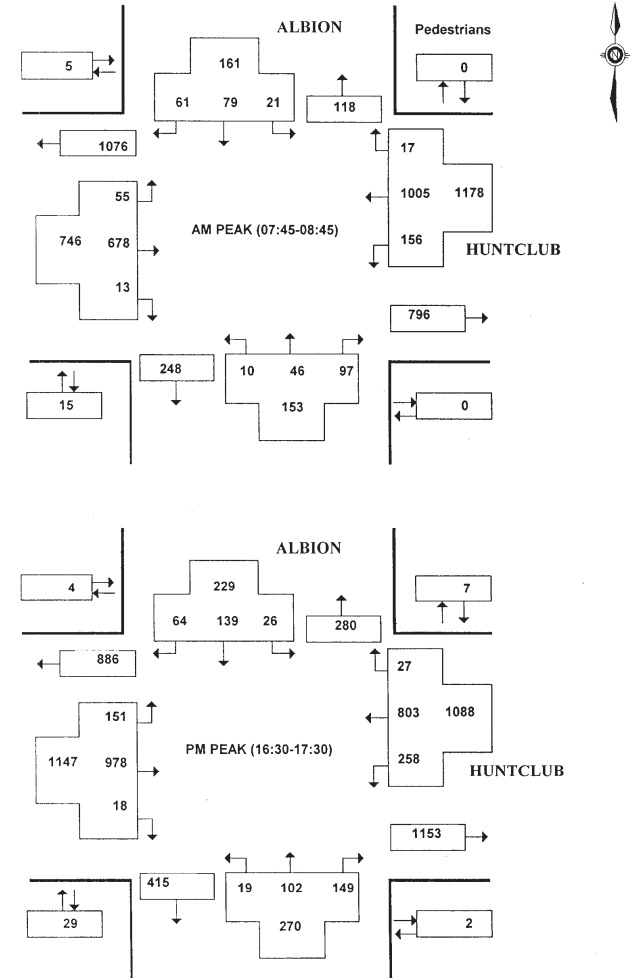


**ALBION RD and HUNT CLUB RD**  
(ULRS Listing ALBION & HUNTCLUB)

Survey Date: Monday 26 July 2004  
Conditions: DRY  
Start Time: 0700

**Total Observed U-Turns**  
Northbound: 0 Southbound: 0  
Eastbound: 19 Westbound: 21

**AADT Factor**  
Monday in July is  
1

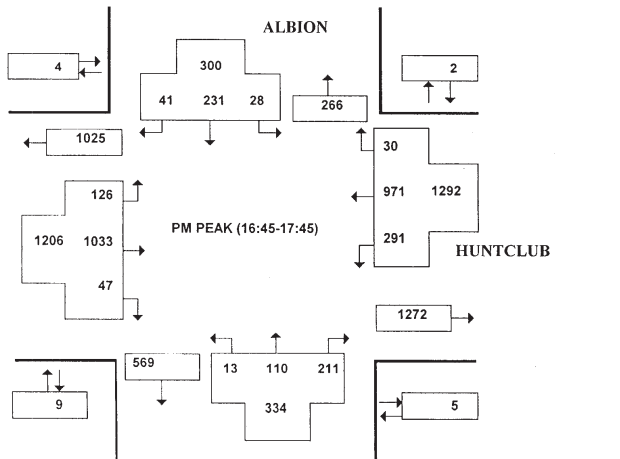
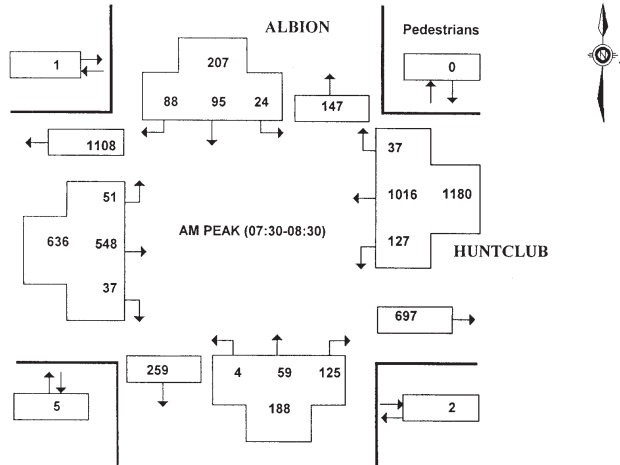


**ALBION RD and HUNT CLUB RD**  
(ULRS Listing ALBION & HUNTCLUB)

Survey Date: Friday 11 July 2003  
 Conditions: WET  
 Start Time: 0700

**Total Observed U-Turns**  
 Northbound: 0 Southbound: 0  
 Eastbound: 16 Westbound: 5

**AADT Factor**  
 Friday in July is  
 0.9



Approved by : DT

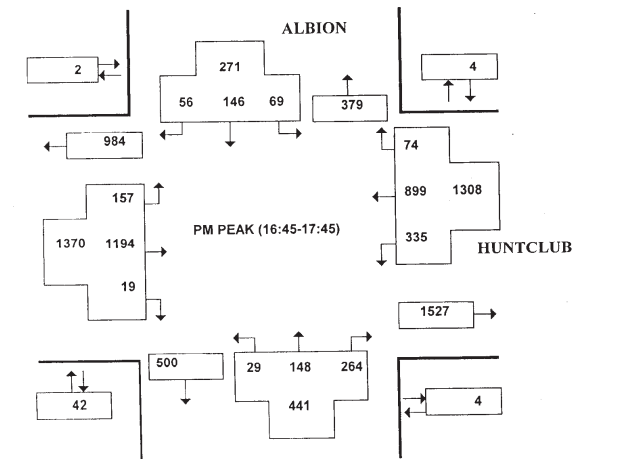
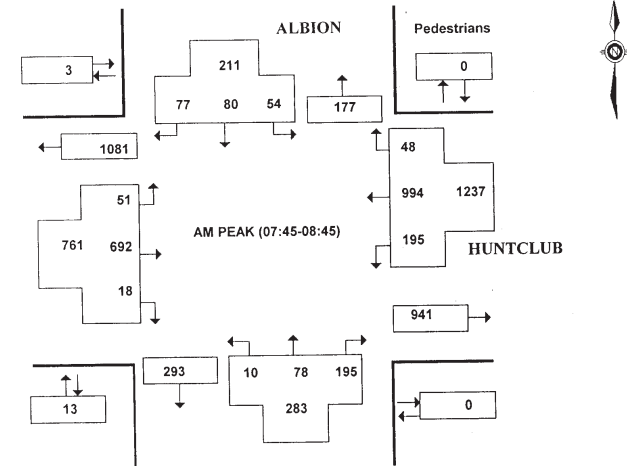
Printed on : 20/06/2008

**ALBION RD and HUNT CLUB RD**  
(ULRS Listing ALBION & HUNTCLUB)

Survey Date: Friday 13 July 2001  
 Conditions: Dry  
 Start Time: 0700

**Total Observed U-Turns**  
 Northbound: 0 Southbound: 0  
 Eastbound: 23 Westbound: 32

**AADT Factor**  
 Friday in July is  
 0.9



Approved by : BL

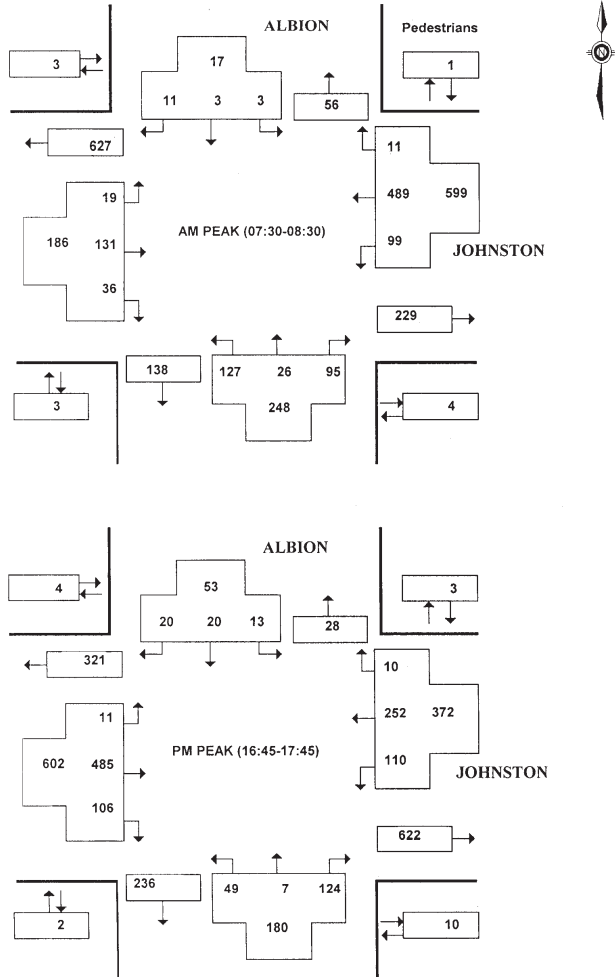
Printed on : 20/06/2008

**ALBION RD and JOHNSTON RD**  
(ULRS Listing ALBION & JOHNSTON)

Survey Date: Tuesday 16 May 2006  
 Conditions: DRY  
 Start Time: 0700

**Total Observed U-Turns**  
 Northbound: 0 Southbound: 0  
 Eastbound: 1 Westbound: 0

**AADT Factor**  
 Tuesday in May is  
 0.9

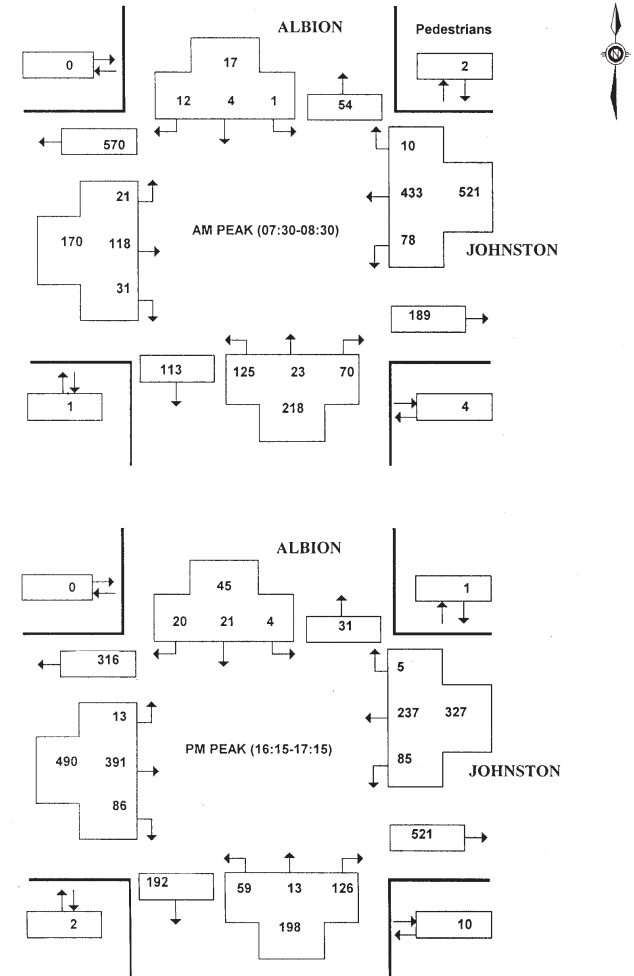


**ALBION RD and JOHNSTON RD**  
(ULRS Listing ALBION & JOHNSTON)

Survey Date: Tuesday 7 June 2005  
 Conditions: DRY  
 Start Time: 0700

**Total Observed U-Turns**  
 Northbound: 0 Southbound: 0  
 Eastbound: 0 Westbound: 0

**AADT Factor**  
 Tuesday in June is  
 0.9

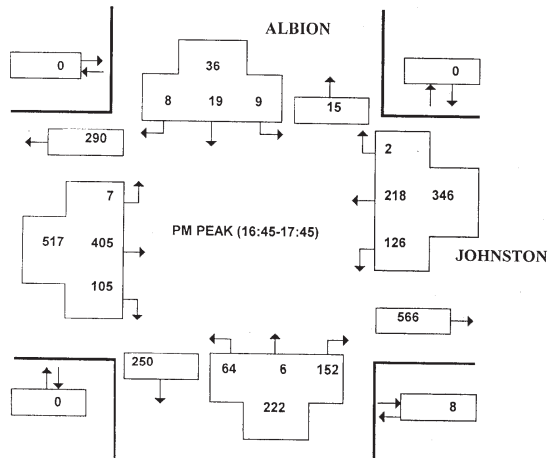
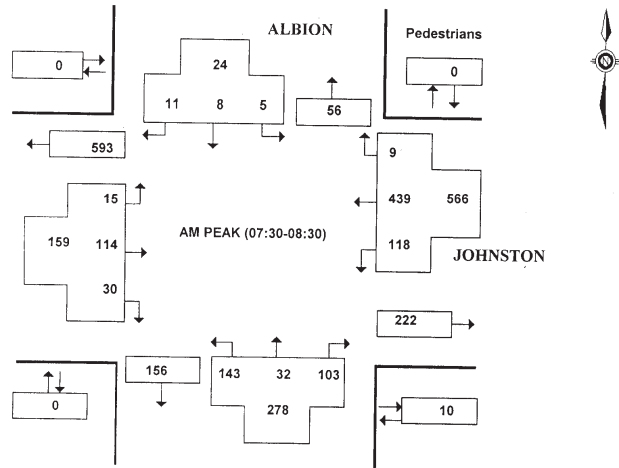


**ALBION RD and JOHNSTON RD**  
(ULRS Listing ALBION & JOHNSTON)

Survey Date: Thursday 6 May 2004  
 Conditions: DRY  
 Start Time: 0700

**Total Observed U-Turns**  
 Northbound: 0 Southbound: 0  
 Eastbound: 0 Westbound: 0

**AADT Factor**  
 Thursday in May is  
 0.9



Approved by : GZ

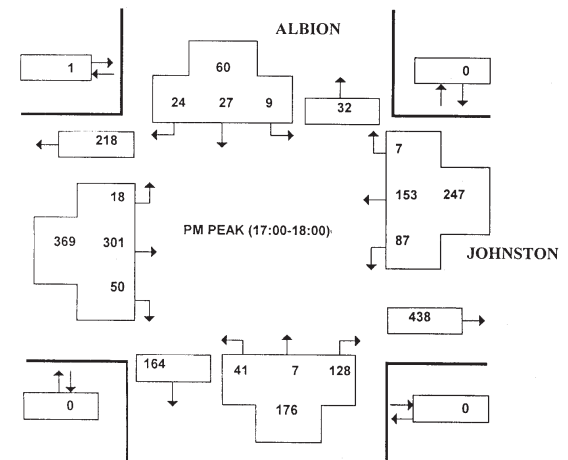
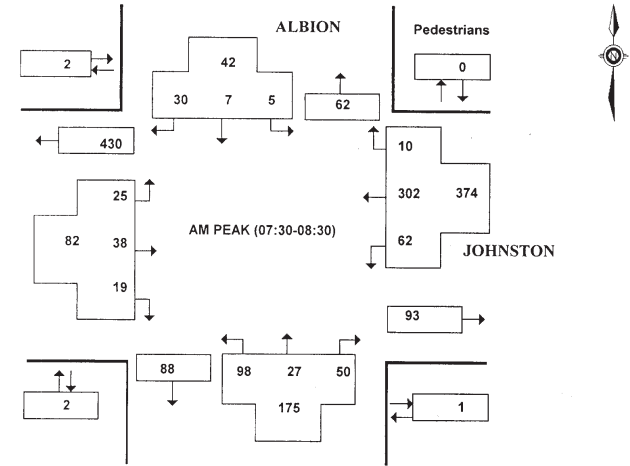
Printed on : 20/06/2008

**ALBION RD and JOHNSTON RD**  
(ULRS Listing ALBION & JOHNSTON)

Survey Date: Friday 16 August 2002  
 Conditions: DRY  
 Start Time: 0700

**Total Observed U-Turns**  
 Northbound: 0 Southbound: 0  
 Eastbound: 0 Westbound: 0

**AADT Factor**  
 Friday in August is  
 0.9



Approved by : DT

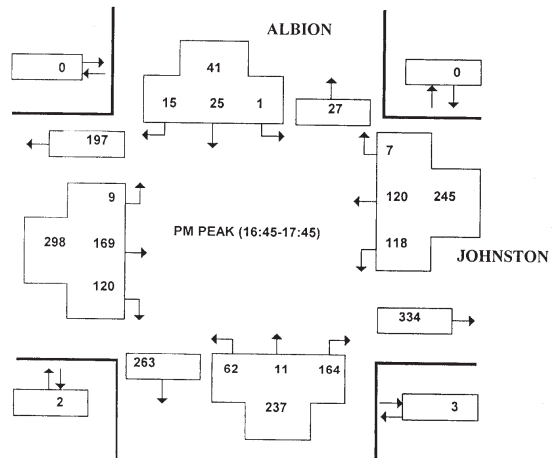
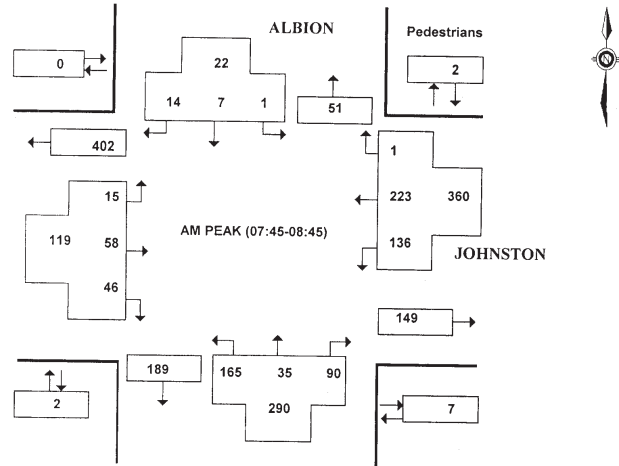
Printed on : 20/06/2008

**ALBION RD and JOHNSTON RD**  
(ULRS Listing ALBION & JOHNSTON)

Survey Date: Wednesday 26 May 1999  
 Conditions: Dry  
 Start Time: 0700

**Total Observed U-Turns**  
 Northbound: 0 Southbound: 0  
 Eastbound: 0 Westbound: 0

**AADT Factor**  
 Wednesday in May is:  
 0.9



Approved by : DM

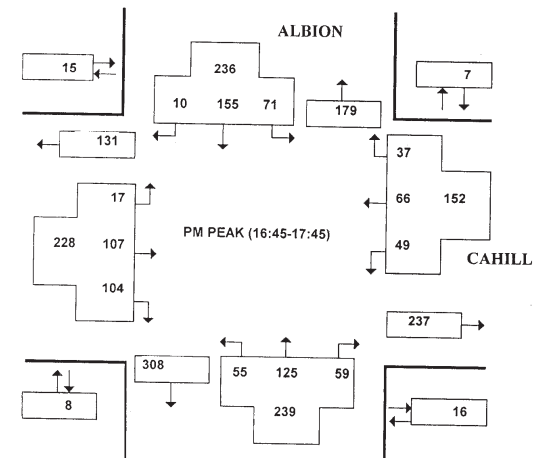
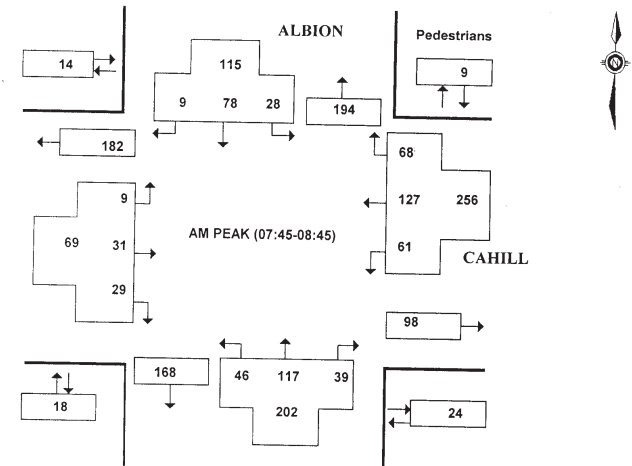
Printed on : 20/06/2008

**ALBION RD and CAHILL DR**  
(ULRS Listing ALBION & CAHILL)

Survey Date: Tuesday 8 May 2007  
 Conditions: DRY  
 Start Time: 0700

**Total Observed U-Turns**  
 Northbound: 1 Southbound: 0  
 Eastbound: 0 Westbound: 0

**AADT Factor**  
 Tuesday in May is:  
 0.9



Approved by : GZ

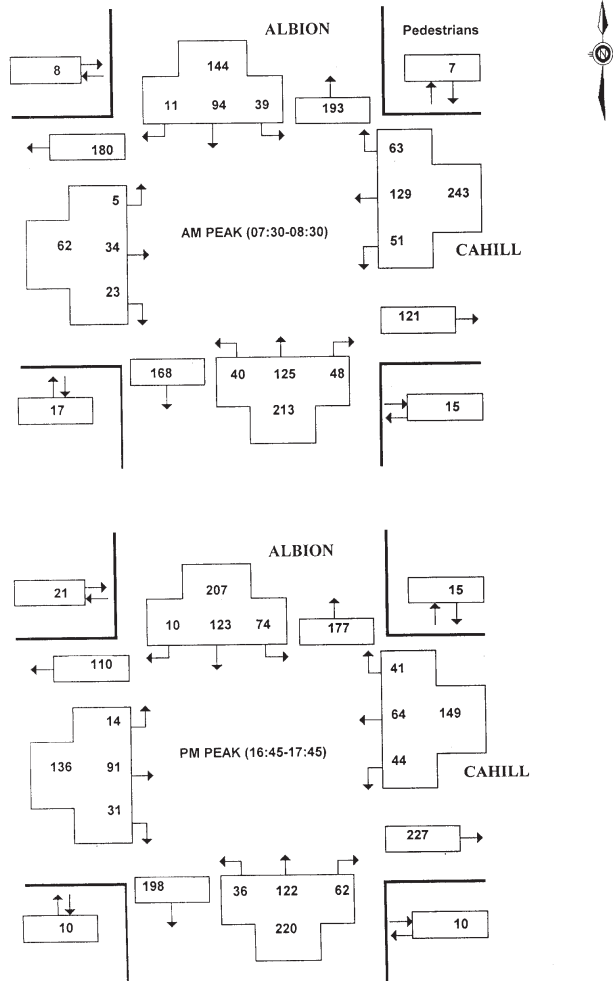
Printed on : 20/06/2008

ALBION RD and CAHILL DR  
(ULRS Listing ALBION & CAHILL)

Survey Date: Tuesday 16 May 2006  
Conditions: WET  
Start Time: 0700

Total Observed U-Turns  
Northbound: 0 Southbound: 0  
Eastbound: 0 Westbound: 0

AADT Factor  
Tuesday in May is  
0.9



Approved by : JM

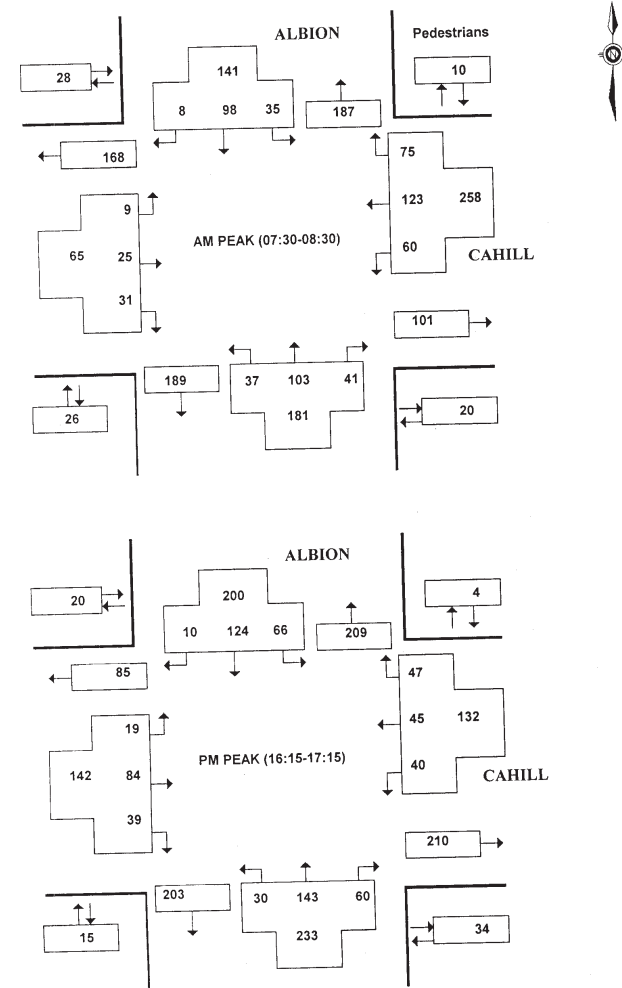
Printed on : 20/06/2008

ALBION RD and CAHILL DR  
(ULRS Listing ALBION & CAHILL)

Survey Date: Tuesday 7 June 2005  
Conditions: DRY  
Start Time: 0700

Total Observed U-Turns  
Northbound: 0 Southbound: 0  
Eastbound: 0 Westbound: 0

AADT Factor  
Tuesday in June is  
0.9



Approved by : JC

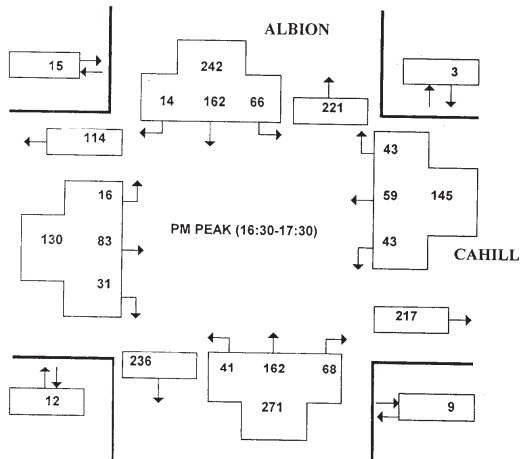
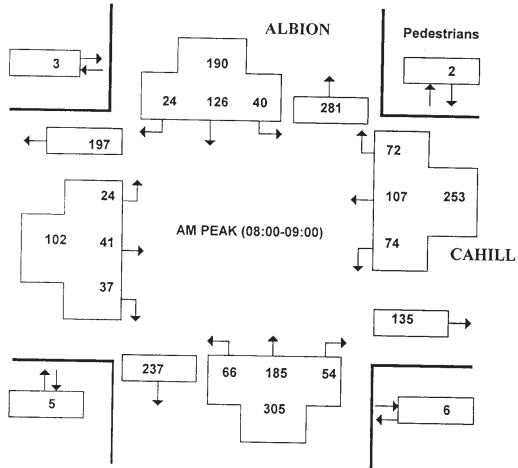
Printed on : 20/06/2008

**ALBION RD and CAHILL DR**  
(ULRS Listing ALBION & CAHILL)

Survey Date: Wednesday 5 May 2004  
 Conditions: WET  
 Start Time: 0700

**Total Observed U-Turns**  
 Northbound: 0 Southbound: 1  
 Eastbound: 1 Westbound: 1

**AADT Factor**  
 Wednesday in May is:  
 0.9



Approved by : AW

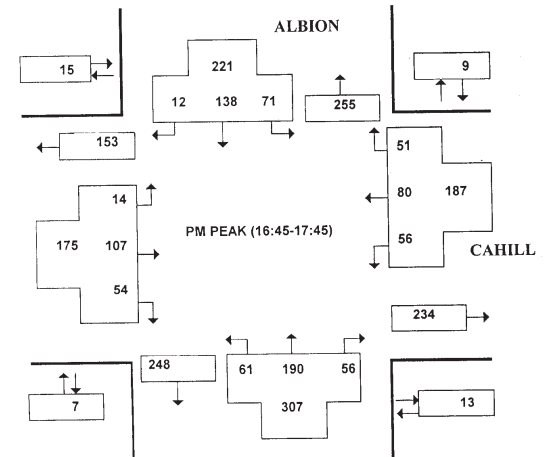
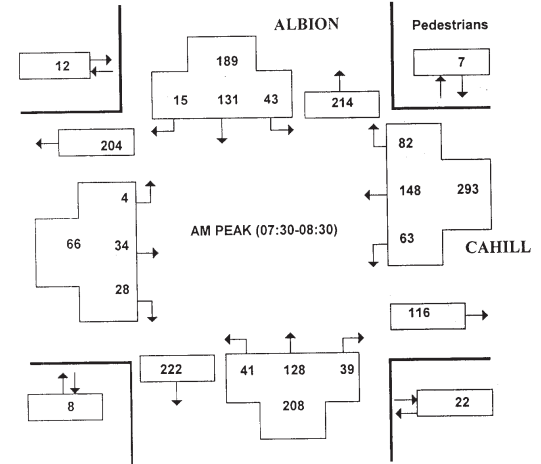
Printed on : 20/06/2008

**ALBION RD and CAHILL DR**  
(ULRS Listing ALBION & CAHILL)

Survey Date: Monday 6 May 2002  
 Conditions: DRY  
 Start Time: 0700

**Total Observed U-Turns**  
 Northbound: 0 Southbound: 0  
 Eastbound: 0 Westbound: 0

**AADT Factor**  
 Monday in May is:  
 1



Approved by : DT

Printed on : 20/06/2008

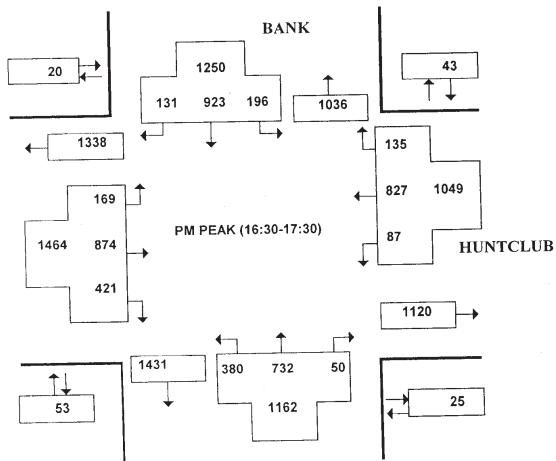
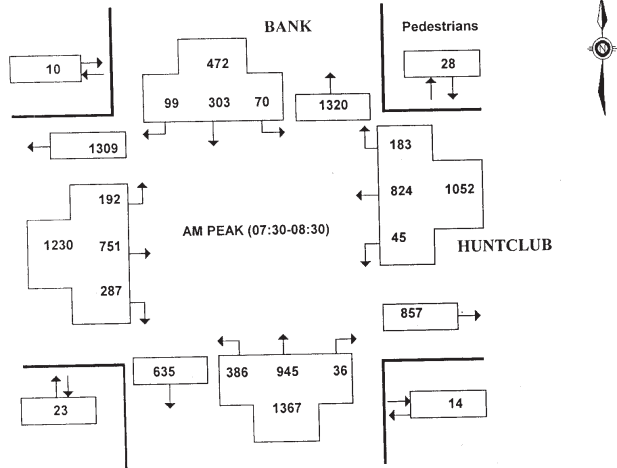


**BANK ST and HUNT CLUB RD**  
(ULRS Listing BANK & HUNTCLUB)

Survey Date: Friday 16 May 2008  
 Conditions: dry  
 Start Time: 0700

**Total Observed U-Turns**  
 Northbound: 0 Southbound: 0  
 Eastbound: 0 Westbound: 0

**AADT Factor**  
 Friday in May is 0.8

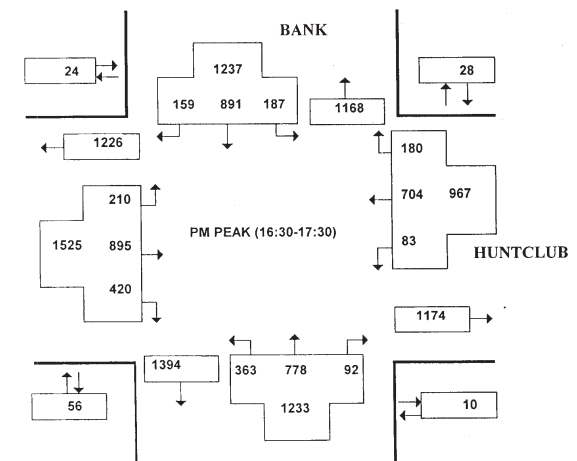
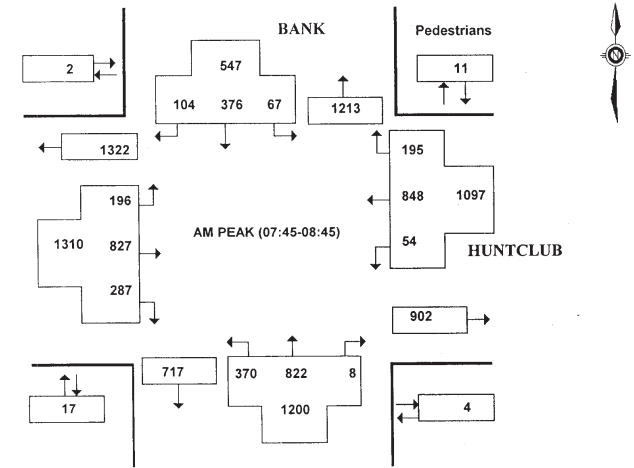


**BANK ST and HUNT CLUB RD**  
(ULRS Listing BANK & HUNTCLUB)

Survey Date: Friday 18 May 2007  
 Conditions: DRY  
 Start Time: 0700

**Total Observed U-Turns**  
 Northbound: 6 Southbound: 1  
 Eastbound: 12 Westbound: 10

**AADT Factor**  
 Friday in May is 0.8

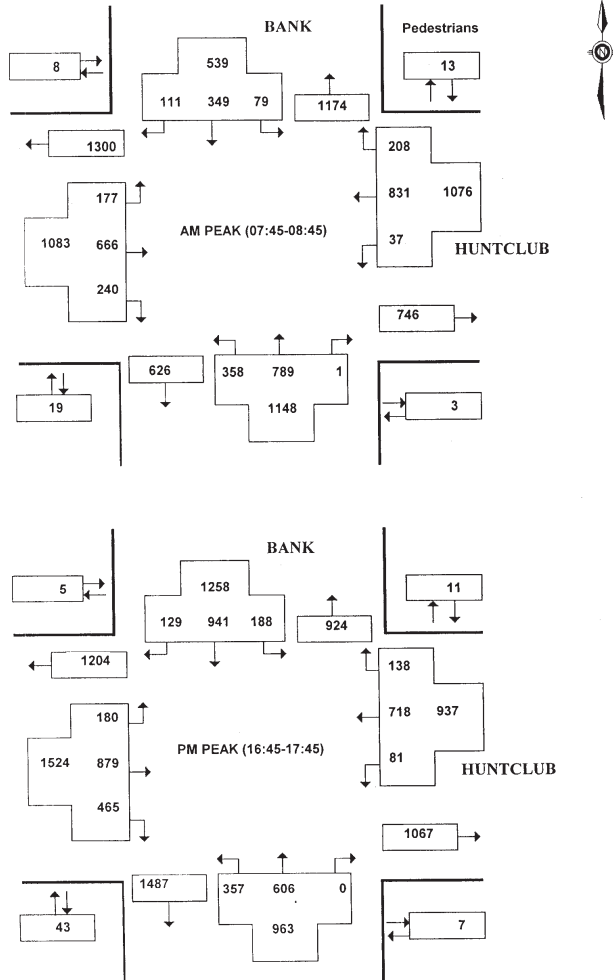


**BANK ST and HUNT CLUB RD**  
(ULRS Listing BANK & HUNTCLUB)

Survey Date: Wednesday 12 July 2006  
 Conditions: DRY  
 Start Time: 0700

**Total Observed U-Turns**  
 Northbound: 2 Southbound: 0  
 Eastbound: 6 Westbound: 5

**AADT Factor**  
 Wednesday in July is  
 0.9

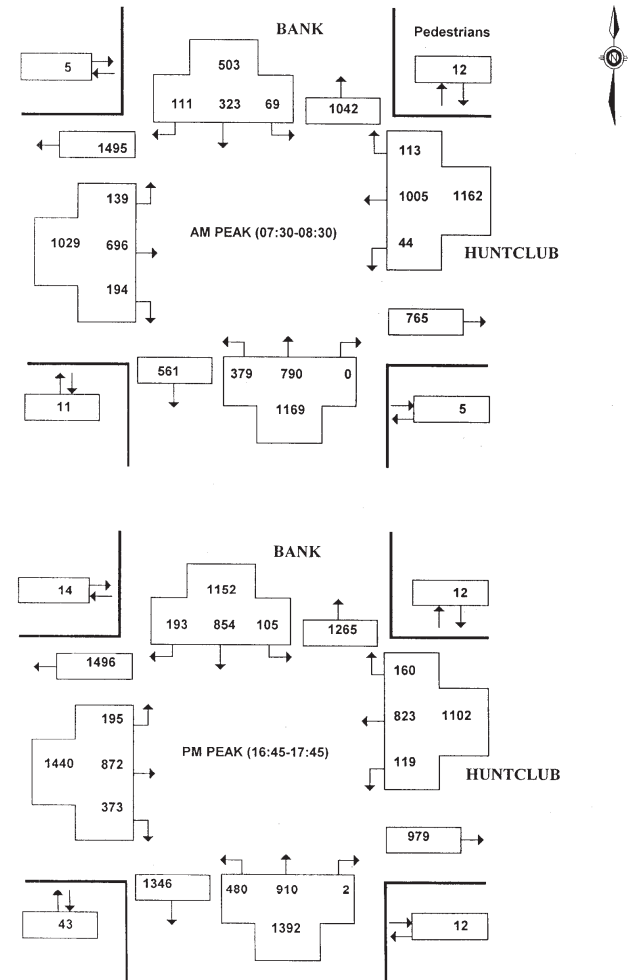


**BANK ST and HUNT CLUB RD**  
(ULRS Listing BANK & HUNTCLUB)

Survey Date: Friday 23 September 2005  
 Conditions: Dry  
 Start Time: 0700

**Total Observed U-Turns**  
 Northbound: 2 Southbound: 0  
 Eastbound: 0 Westbound: 4

**AADT Factor**  
 Friday in September  
 0.9

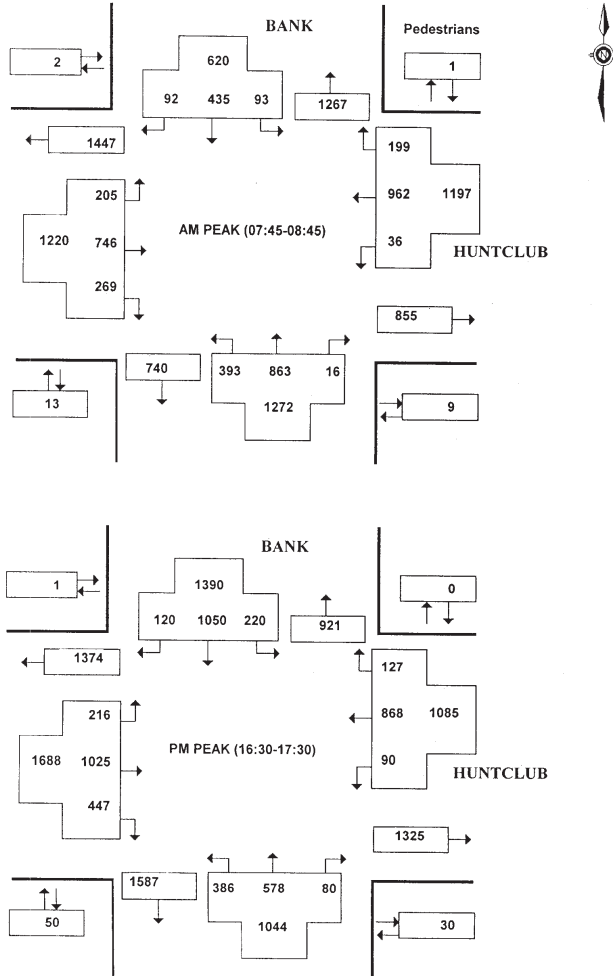


**BANK ST and HUNT CLUB RD**  
(ULRS Listing BANK & HUNTCLUB)

Survey Date: Friday 14 May 2004  
 Conditions: DRY  
 Start Time: 0700

**Total Observed U-Turns**  
 Northbound: 0 Southbound: 2  
 Eastbound: 6 Westbound: 6

**AADT Factor**  
 Friday in May is  
 0.8



Approved by : DT

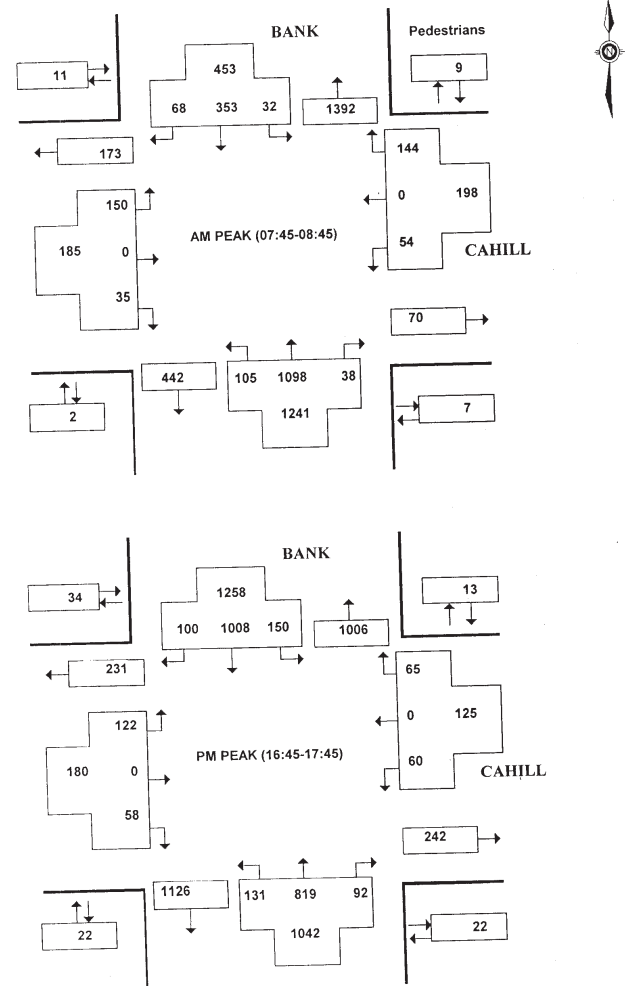
Printed on : 20/06/2008

**BANK ST and CAHILL DR**  
(ULRS Listing BANK & CAHILL)

Survey Date: Friday 9 May 2008  
 Conditions: dry  
 Start Time: 0800

**Total Observed U-Turns**  
 Northbound: 3 Southbound: 1  
 Eastbound: 0 Westbound: 0

**AADT Factor**  
 Friday in May is  
 0.8



Approved by :

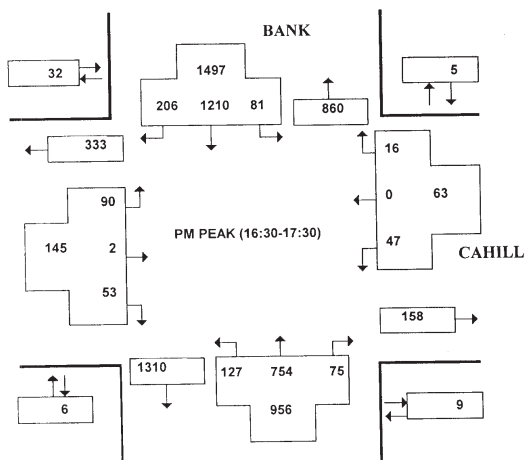
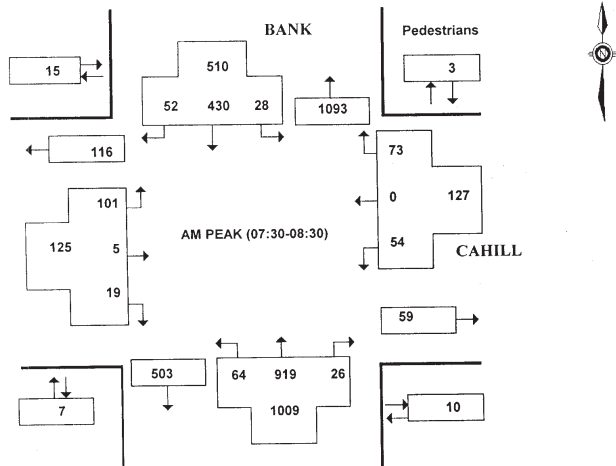
Printed on : 20/06/2008

**BANK ST and CAHILL DR**  
(ULRS Listing BANK & CAHILL)

Survey Date: Monday 24 July 2006  
 Conditions: DRY  
 Start Time: 0700

**Total Observed U-Turns**  
 Northbound: 0 Southbound: 0  
 Eastbound: 0 Westbound: 0

**ADT Factor**  
 Monday in July is 1



Approved by : DT

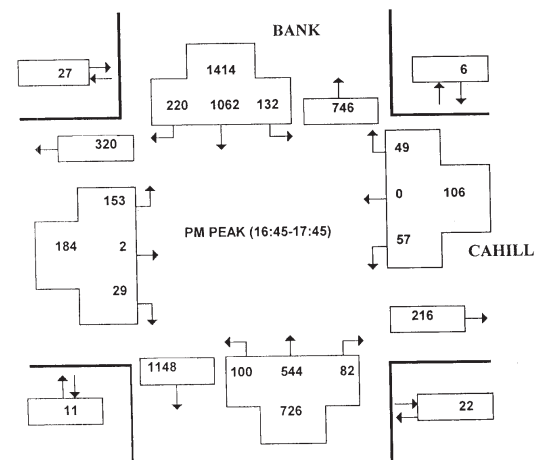
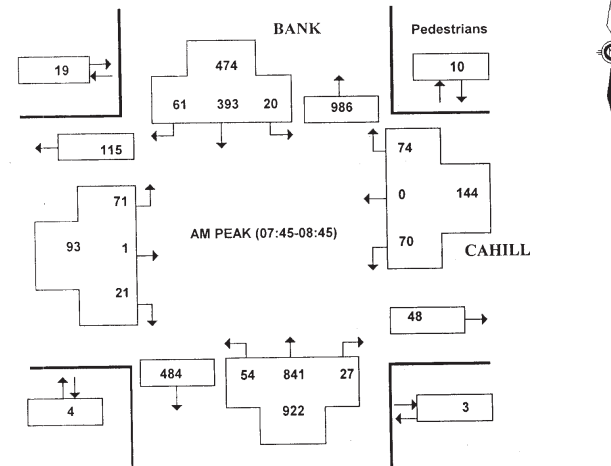
Printed on : 20/06/2008

**BANK ST and CAHILL DR**  
(ULRS Listing BANK & CAHILL)

Survey Date: Monday 26 September 2005  
 Conditions: Dry  
 Start Time: 0700

**Total Observed U-Turns**  
 Northbound: 1 Southbound: 0  
 Eastbound: 0 Westbound: 0

**ADT Factor**  
 Monday in September is 1



Approved by : DT

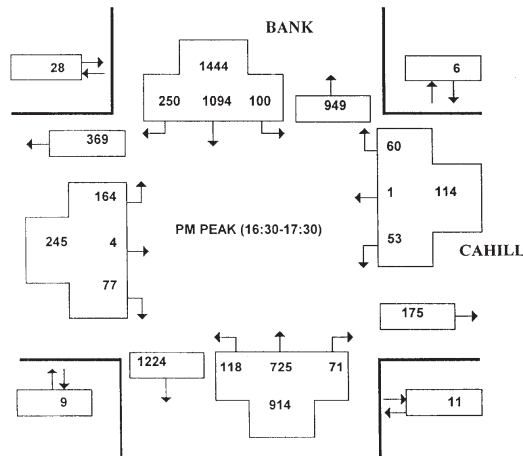
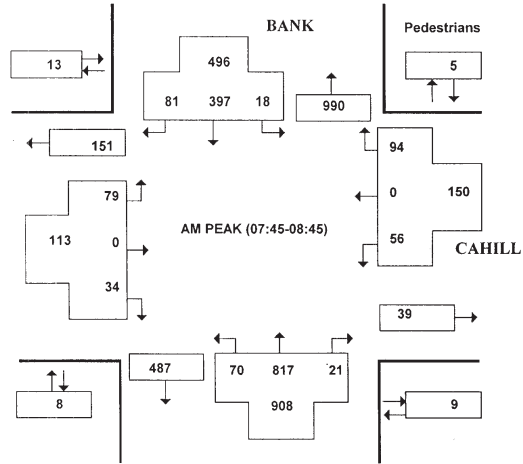
Printed on : 20/06/2008

**BANK ST and CAHILL DR**  
(ULRS Listing BANK & CAHILL)

Survey Date: Tuesday 3 August 2004  
 Conditions: WET  
 Start Time: 0700

**Total Observed U-Turns**  
 Northbound: 0 Southbound: 4  
 Eastbound: 0 Westbound: 0

**AADT Factor**  
 Tuesday in August is  
 0.9

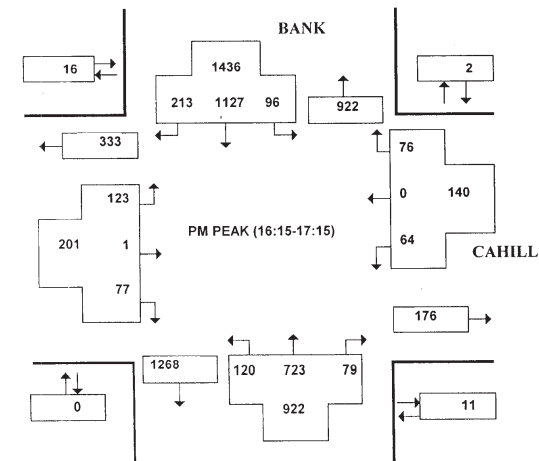
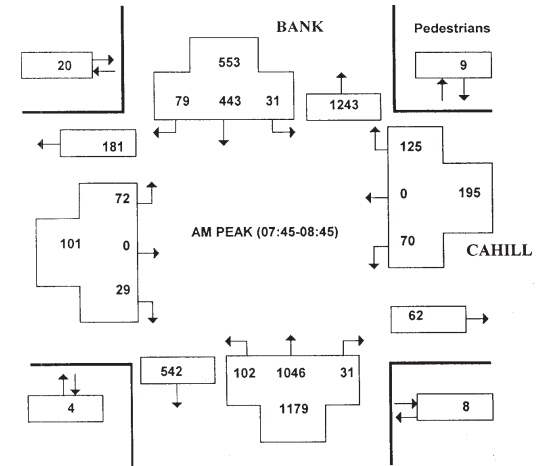


**BANK ST and CAHILL DR**  
(ULRS Listing BANK & CAHILL)

Survey Date: Tuesday 18 November 2003  
 Conditions: DRY  
 Start Time: 0700

**Total Observed U-Turns**  
 Northbound: 0 Southbound: 0  
 Eastbound: 0 Westbound: 0

**AADT Factor**  
 Tuesday in November  
 1

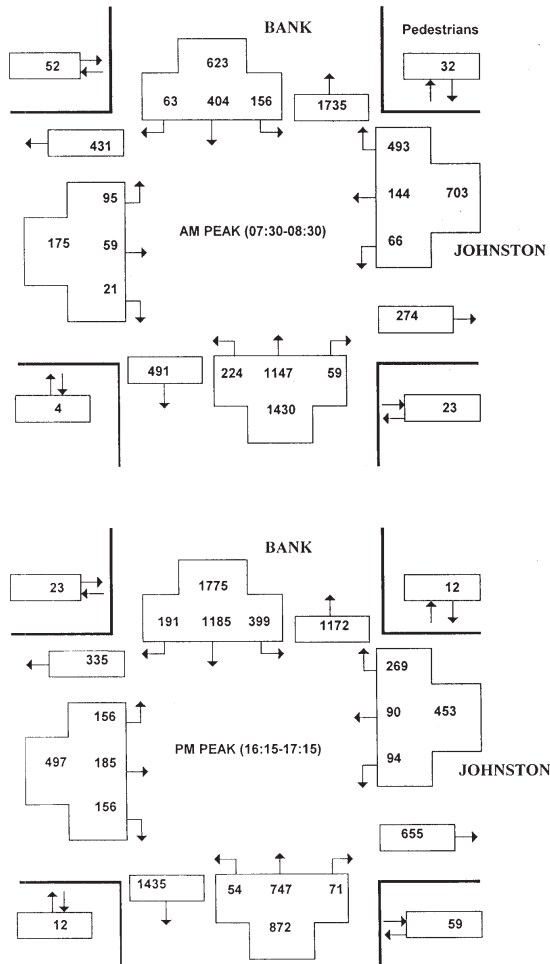


**BANK ST and JOHNSTON RD**  
(ULRS Listing BANK & JOHNSTON)

Survey Date: Thursday 14 June 2007  
 Conditions: DRY  
 Start Time: 0700

**Total Observed U-Turns**  
 Northbound: 4 Southbound: 11  
 Eastbound: 0 Westbound: 0

**AADT Factor**  
 Thursday in June is 0.9

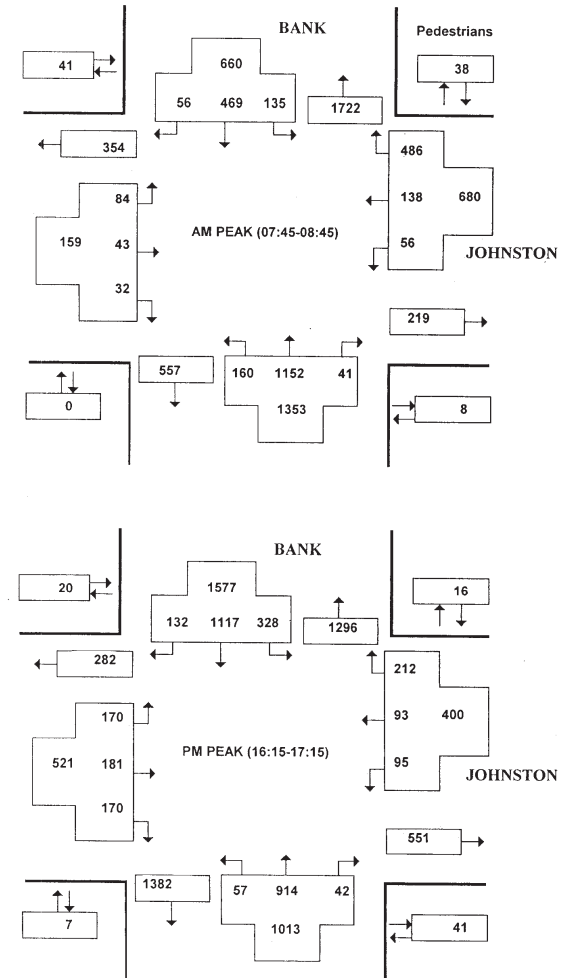


**BANK ST and JOHNSTON RD**  
(ULRS Listing BANK & JOHNSTON)

Survey Date: Tuesday 3 May 2005  
 Conditions: dry  
 Start Time: 0700

**Total Observed U-Turns**  
 Northbound: 3 Southbound: 0  
 Eastbound: 0 Westbound: 0

**AADT Factor**  
 Tuesday in May is 0.9

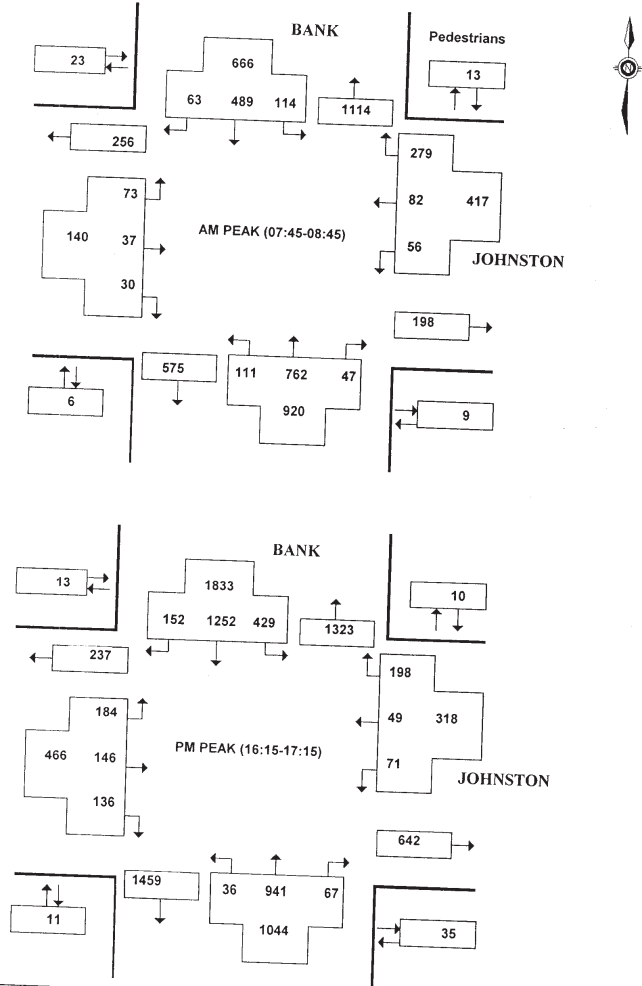


**BANK ST and JOHNSTON RD**  
(ULRS Listing BANK & JOHNSTON)

Survey Date: Thursday 29 July 2004  
 Conditions: DRY  
 Start Time: 0700

**Total Observed U-Turns**  
 Northbound: 0 Southbound: 10  
 Eastbound: 0 Westbound: 0

**ADT Factor**  
 Thursday in July is  
 0.9



Approved by : DM

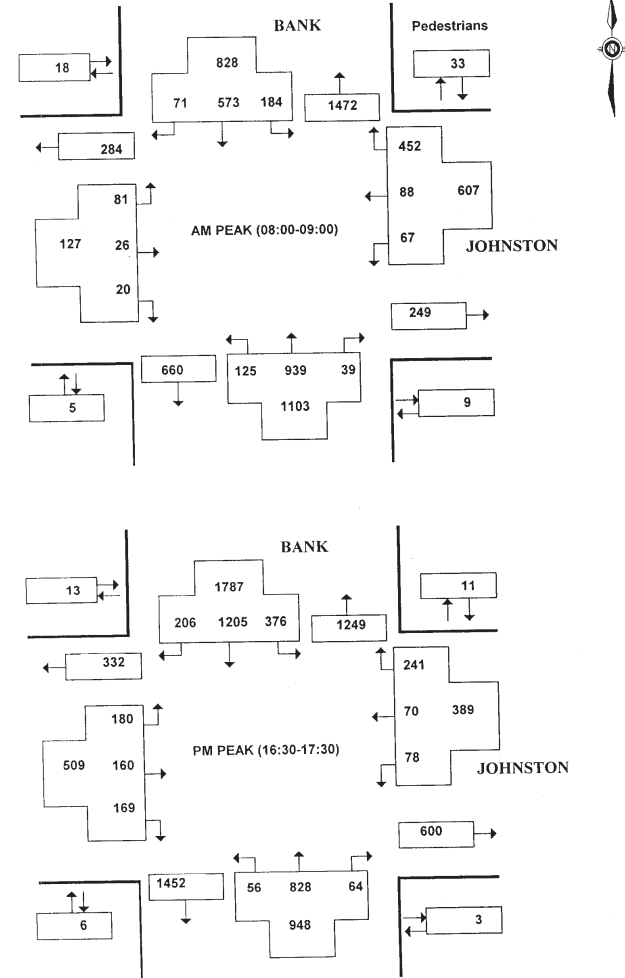
Printed on : 20/06/2008

**BANK ST and JOHNSTON RD**  
(ULRS Listing BANK & JOHNSTON)

Survey Date: Friday 13 June 2003  
 Conditions: DRY  
 Start Time: 0700

**Total Observed U-Turns**  
 Northbound: 2 Southbound: 0  
 Eastbound: 0 Westbound: 0

**ADT Factor**  
 Friday in June is  
 0.8



Approved by : DT

Printed on : 20/06/2008

**BANK ST and JOHNSTON RD**  
(ULRS Listing BANK & JOHNSTON)

Survey Date: Wednesday 4 July 2001  
 Conditions: Wet  
 Start Time: 0700

**Total Observed U-Turns**  
 Northbound: 0 Southbound: 1  
 Eastbound: 0 Westbound: 0

**AADT Factor**  
 Wednesday in July is  
 0.9

